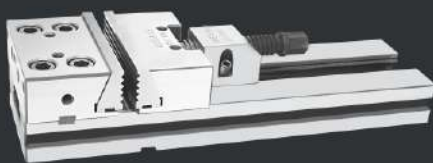


UNIQUE

XTRA TUFF VICES



PRODUCT CATALOGUE

UNIQUE PROCESS MAKES THE **UNIQUE** VICES PRECISION AND STURDY

Dear **UNIQUE** Friends

UNIQUE a name founded way back in 1970, has grown from a small family run company to one of the Country's leading manufacturer of various type of Vices.

The Secret of it's success is the uncompromising business standards of it's management, the company's Unrelenting focus on quality and your kind patronage.

This has generated added confidence in it's patrons and helped "UNIQUE" to grow fast. It is on this foundation that "UNIQUE" reputation for excellence has built an image and won appreciable response from the overseas market, which is another feather in it's cap.

Now I feel pleasure in presenting this Catalogue, which shall help you to boost your Sales for mutual benefits.

With Love
Your's Sincerely



Mr. H.H. Ahluwalia.



Item Name	Page No.	Item Name	Page No.
3 Way Precision Drill Vice (U-3307P).....	26	Offset Vice (U 338).....	39
3 Way Universal Tilt & Swivel Angle Vice (U-330).....	16	Permanent Magnetic Chucks (U-344, 345 & 346).....	37
All Steel Bench Vice (U-338N & 338NS).....	32	Pipe Vice Open Type (U-303 & 303N).....	35
Angle Lock Self Centering Vice (U-350 SCV).....	10	Plain Washer (U-25).....	42
Anvil (U-365 & 365 Steel).....	34	Precision Compact Lock Machine Vice (U-350P).....	9
Armature Bearing Puller Vice (U-3307).....	25	Precision Drill Vice (U-324).....	26
Baby Vice (U-302, U302N, U302NS & 307D).....	38	Precision Dual Station Vice (U-355).....	5
Bearing Pullers (U-406DF, 406, 406GP & 4406DF).....	38	Precision Grinding Vice (U-422).....	23
Bench Vice German Type (U-316).....	32	Precision Machine Vice (U-329).....	25
Bench Vice Quick Action (U-327).....	31	Precision Milling Machine Vice (U-348N & 348NS).....	13
Cast Iron Angle Plates (U-122).....	36	Precision Self Centering Vice (U-1314S).....	24
Cast Iron Slotted Angle Plates (U-123).....	36	Precision Quick Setting Vice (U-3535).....	6
Chain Pipe Vice (U-342).....	35	Precision Screwless Vice (U-421).....	23
Clamping Kit (U-31 & 32).....	40	Precision Sine Vice – Lead Screw Type (U-425).....	23
Clamping Stud (U-30).....	40	Precision Sine Vice – Pin Type (U-424).....	23
Compound Sliding Tables (U-322J, 321C, 320, 318N).....	19	Precision Tilt Lock Hydraulic Vice (U-5510).....	2
Coupling Nut (U-22).....	41	Precision Unigrip Vice (U-307P).....	26
C-Washer (U-28).....	41	Precision Universal Tilting Table (U-1332).....	28
Dial Comprator Stands (U-114 & 1114).....	38	Precision Tilting & Swivelling Vice (U-349N).....	15
Dividing Head (U-351).....	21	Rotary Milling Tables (U-334, 335, 336, 337).....	20
Draw Vice Steel (U-341).....	35	Screw Jack With Steel Body (U-11).....	40
Drill Chuck Arbors (U-404).....	39	Self Centering Vice (U-314 & 314S).....	24
Drill Machine Vice (U-3306).....	25	Self Centering Shaft vice (U-343).....	24
Drill Press Vice (U-317).....	27	Shaper Vice (U-311 & 311S).....	18
Drill Press Vice (U-347).....	25	Spherical Washer With Conical Seat (U-26).....	42
Drill Sleeves (U-404S).....	39	Steel V Blocks & Clamps (U-119).....	37
Drill Vice Economy (U-305).....	27	Step Blocks Universal (U-09).....	40
Drill Vice German Type (U-328).....	26	Stepped Strap Clamp (U-15).....	41
Drill Vice Heavy Duty (U-306).....	27	Strap Clamp (U-14).....	41
Engineer's Bench Vice (U-301R & 301RS).....	29	Super Drill Machine Vice (U-315).....	28
Engineer's Bench Vice Unbreakable (U-301R & 301RS Steel).....	30	Super Heavy Duty Bench Vice (U-308 & 308S).....	31
Flanged Nut (U-21).....	41	Super Milling Vice (U-309 & 309S).....	11
G Clamp Heavy Duty Drop Forged (U-408DF).....	38	Swivel Angle Table (U-333).....	28
G Clamps Heavy Duty Ductile Iron (U-408).....	38	T-Bar Cramps (U-360).....	39
Hand Vice Steel (U-340).....	35	T-Bolts (U-29).....	42
Heavy Duty Precision Machine Vice (U-3210 & 3210 S).....	7	Tilt Lock Machine Vice (U-350 & 350S).....	8
Height Plates Adjustable (U-10).....	40	Tilting & Indexing Device (U-1333).....	22
Hex Nut (U-20).....	41	Tilting & Swivelling Vice (U-312).....	14
Hinged Pipe Vice (U-304, 304RP, 304PT).....	35	Tilting Table (U-332).....	28
HSS Adjustable Hand Reamer (U-372).....	39	Tool Maker's Vice (U-300 & 300S).....	32
Hydraulic Pressure Vice (U-3510).....	1	T-Slot Nut (U-23).....	42
Indexing Milling Fixture (U-1335).....	22	Twin Guide Super Value Machinist Vice (U-301N).....	30
Leg Vice (U-370).....	33	Two Piece Modular Machine Vice (U-3434).....	4
Machinist Bench Vice - IS : 2586-1986 (U-1301).....	31	Unigrip Machine Vice (U-307).....	27
Machinist Bench Vice (U-301 & 301S).....	33	Universal Machine Vice (U-313).....	17
Magnetic Base (U-116).....	36	Vee Blocks Cast Iron (U-120).....	37
Magnetic Vee Blocks (U-117).....	36	Vertical Sliding Table (U-319).....	25
Milling Machine Vice (U-310 & 310S).....	12	Wood Worker's Vice - Record Type (U-326S).....	34
Milling Vice Two Piece Adjustable (U-331).....	23	Wood Working Vice Heavy Duty (U-339).....	34
Modular Precision Machine Vice (U-3333).....	3	Wood Working Vice Quick Release (U-339QR).....	34
Multipurpose Vice (U-1300).....	33		



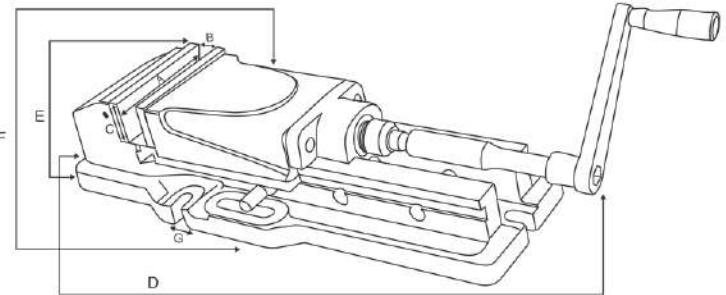
UNIQUE HYDRAULIC PRESSURE VICE (HARDENED GROUND GUIDE WAYS)

Code No. U-3510



FEATURES

- Rigid Material Vice Body of Ductile Iron for milling, drilling, shaping, grinding and many other machine shop applications.
- New Design: Lock Proof System : Prevent wrong clamping force sticks the vise.
- Clamping Force : 4000-4500 KGF.
- Sliding Bed ways hardened and ground.
- Concealed spindle for protection against chips and dirt.
- Hydraulic - Booster system for maximum clamping pressure with minimum force.
- Quick of clamping & locking and easy of operation.
- Accuracy in Squareness within 0.02/100MM.
- Furnished with or without swivel base.



SPECIFICATIONS

	100MM	Opening 300MM	Opening 200MM
SIZE IN INCHES	4	6	6
A Width of jaws in mm	105	150	150
B Opening of jaws in mm	175	300	200
C Depth of jaws in mm	36	58	58
D Length overall in mm	440	620	510
E Height overall U 3510	95	145	145
F Width Overall U 3510	170	230	230
G Tenon slot Size in mm	20	20	20
Height overall U 3510 S	125	185	185
Width Overall U 3510 S	200	300	300
Weight (Approx) in kgs U 3510	19	53	48
Weight (Approx) in kgs U 3510 S	22	65	60

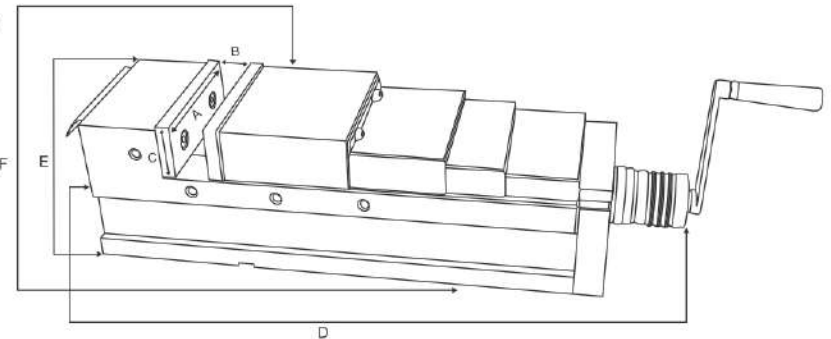
UNIQUE PRECISION TILT LOCK HYDRAULIC VICE (HARDENED GROUND GUIDE WAYS)

Code No. U-5510



FEATURES

- Rigid Material Vice Body of Ductile Iron.
- Clamping Force : 4000-4500 KGF.
- Sliding Bed ways hardened and ground.
- Hydraulic - Booster system for maximum clamping pressure with minimum force.
- Downthrust Semi - Sphere segment mechanism eliminates Jaw Lifting and Work Lift.
- Quick of clamping & locking and easy of operation.
- Accuracy in Squareness within 0.02/100MM.



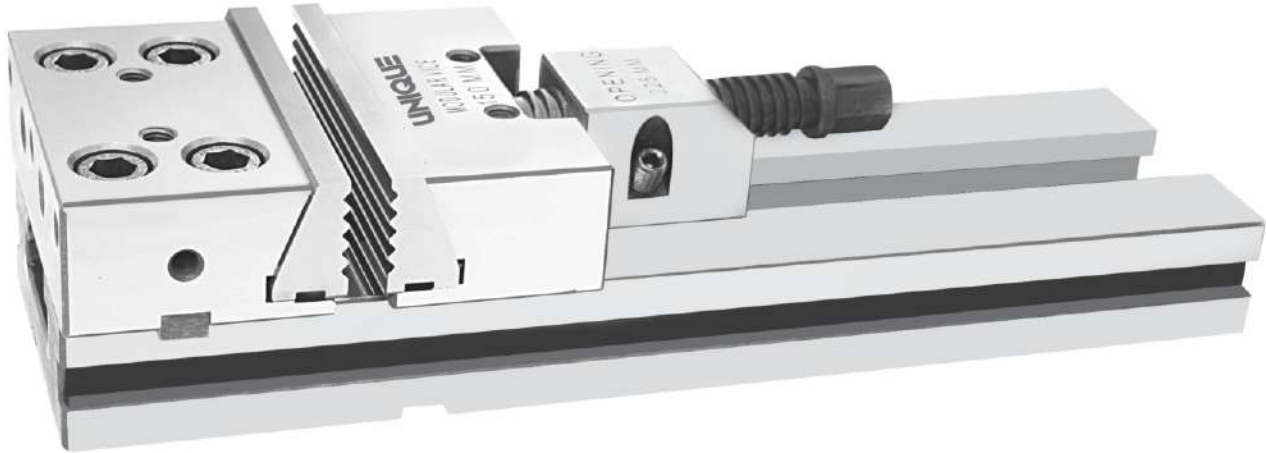
SPECIFICATIONS

		Opening 200MM	Opening 300MM
	SIZE IN INCHES	6	6
A	Width of jaws in mm	160	160
B	Opening of jaws in mm	200	300
C	Depth of jaws in mm	58	58
D	Length overall in mm	520	710
E	Height overall U 5510	165	165
F	Width Overall U 5510	160	160
	Tenon slot Size in mm	20	20
	Weight (Approx) in kgs U 5510	50	60

UNIQUE MODULAR PRECISION MACHINE VICE

HARDENESS : 60 ±2 HRC

Code No. U3333



● U 3333

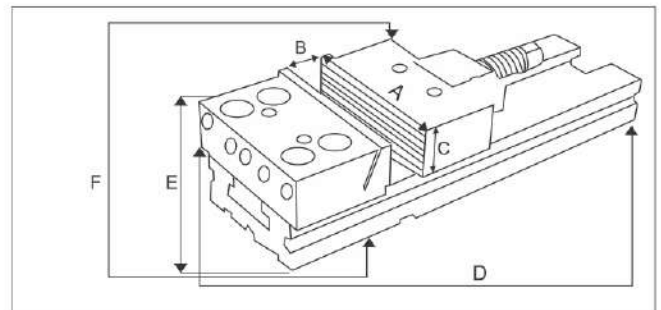
FEATURES

- HIGH QUALITY ALLOY STEEL
- ACCURACY IN SQUARENESS 0.01/100 MM
- CASE HARDENED HRC 60 ±2 TO GIVE MAXIMUM RIGIDITY, HIGH PERFORMANCE & NO WEAR.
- CAN BE USED MULTIPLE STYLE
- BOTH JAWS PLATES ARE IN PULL-DOWN ANGLE. THIS ENSURES ANTI-LIFT CLAMPING OF THE WORKPIECE.
- LOW PROFILE
- SUPPLIED WITH STOPPER FOR FAST PRODUCTION



SPECIFICATIONS

SIZE IN INCHES		4	6	8
A	Width of jaws in mm	100	150	200
B	Opening of jaws in mm	130	200	300
C	Depth of jaws in mm	30	50	60
D	Length overall in mm	325	420	555
E	Height overall in mm	71	98	118
F	Width Overall	102	150	203
	Tenon slot Size in mm	16	16	16
	Weight (Approx) in kgs	10	26	50



UNIQUE TWO PIECE MODULAR PRECISION MACHINE VICE

HARDENESS : 60 ±2 HRC

Code No. U3434



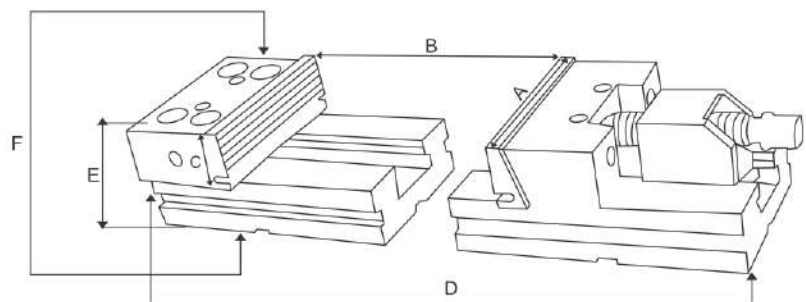
● U 3434

FEATURES

- High alloyed quality resistance steel, case hardened HRC 60 ±2 is used in all body and accessories of vice to give maximum rigidity, high performance & no wear.
- Two Piece Modular Vice designed for precision milling used with CNC Machines.
- Accuracy in squareness 0.01/100 MM.
- Unlimited Clamping Range as per Workpiece.
- Both jaws plates are in pull-down angle. This ensures Anti-Lift Clamping of the Workpiece.

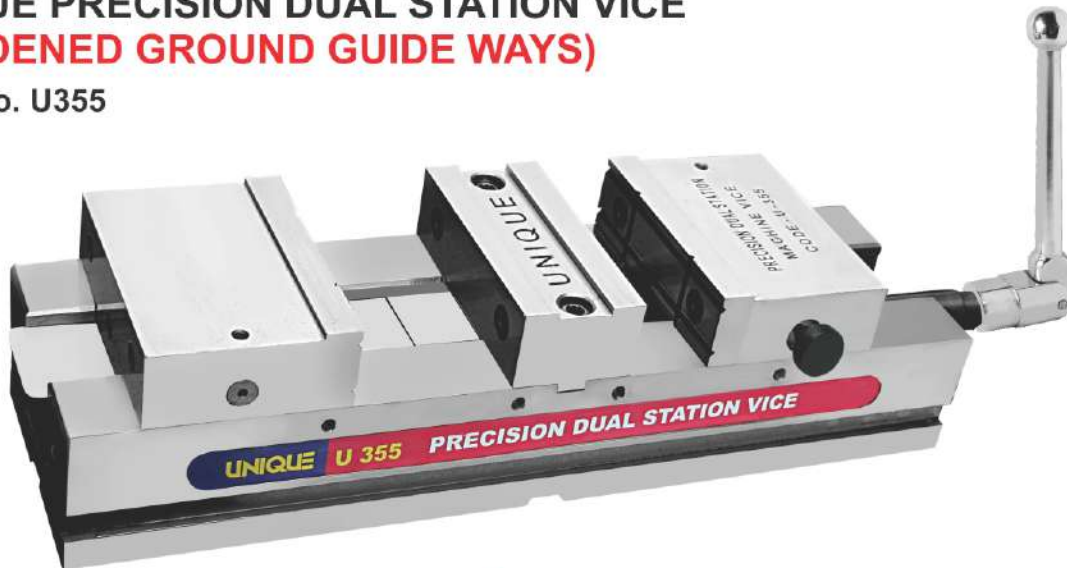
SPECIFICATIONS

	SIZE IN INCHES	6
A	Width of jaws in mm	150
B	Opening of jaws in mm	As per Job
C	Depth of jaws in mm	50
D	Length overall in mm	Assorted
E	Height overall in mm	100
F	Width Overall	150
	Tenon slot Size in mm	16
	Weight (Approx) in kgs	26



UNIQUE PRECISION DUAL STATION VICE (HARDENED GROUND GUIDE WAYS)

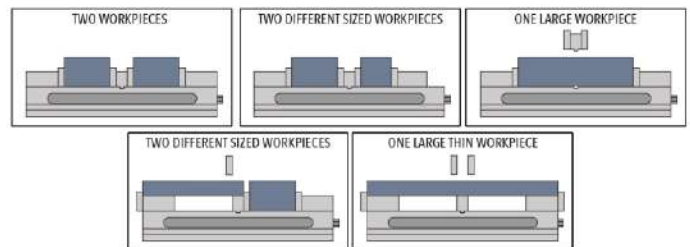
Code No. U355



● U-355

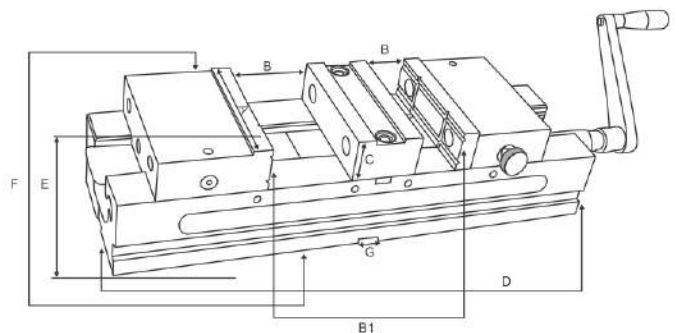
FEATURES

- Rigid Material Vice Body of Ductile Iron.
- Clamping force equalization same force to two workpieces in different size.
- Anti-lift mechanism ensure the workpiece does not lift during operation
- Double clamp makes different size of workpieces can be clamped at the same time.
- Can be mounted Horizontally or Vertically.
- One Handle operate the two Moveable Jaws.
- Fixed Center Jaw has a Machined Keyway for Accurate Alignment and Setup.
- 5 Different Workpeice Clamping Applications.
- Accuracy in Squareness within 0.02/100MM.



SPECIFICATIONS

	Size in Inches	6
A	Width of jaws in mm	152
B	Opening of jaws each side in mm	0-125
B1	Maximum Opening in mm	0-310
C	Depth of jaws in mm	45
D	Length overall in mm	520
E	Height overall U 3535	127
F	Width Overall U 3535	150
G	Tenon slot Size in mm	20
	Weight (Approx) in kgs U 3535	50 Kg.



UNIQUE PRECISION QUICK SETTING MACHINE VICE

HARDENESS : 60 ±2 HRC

Code No. U-3535



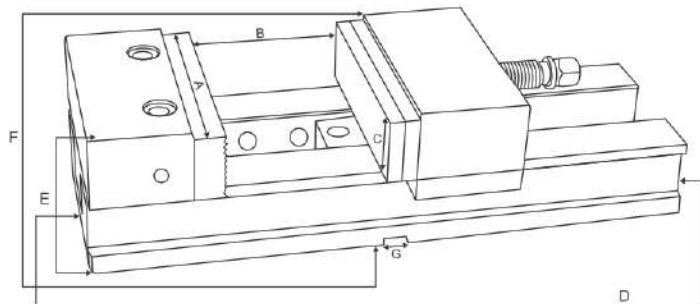
● U-3535

FEATURES

- High Quality Alloy Steel.
- Conventional and CNC controlled milling machines-for efficient precision machining
- Horizontal installation - great variability and flexibility
- Excellent ease of operation guarantees optimal handling for every application
- Fast adjustment for clamping range presetting.
- Accuracy in Squareness within 0.02/100MM.
- Fixing on the machine table by means of mounting holes in the vice base.
- Optional centre jaw allows two or more workpieces to be clamped.

SPECIFICATIONS

	Jaw Width	150 mm
A	Width of jaws in mm	150
B	Opening of jaws in mm	255
C	Depth of jaws in mm	48
D	Length overall in mm	485
E	Height overall U 3535	105
F	Width Overall U 3535	150
G	Tenon slot Size in mm	20
	Weight (Approx) in kgs U 3535	27



UNIQUE HEAVY DUTY PRECISION MACHINE VICE (HARDENED GROUND GUIDE WAYS)

Code No. U-3210



● U 3210 S

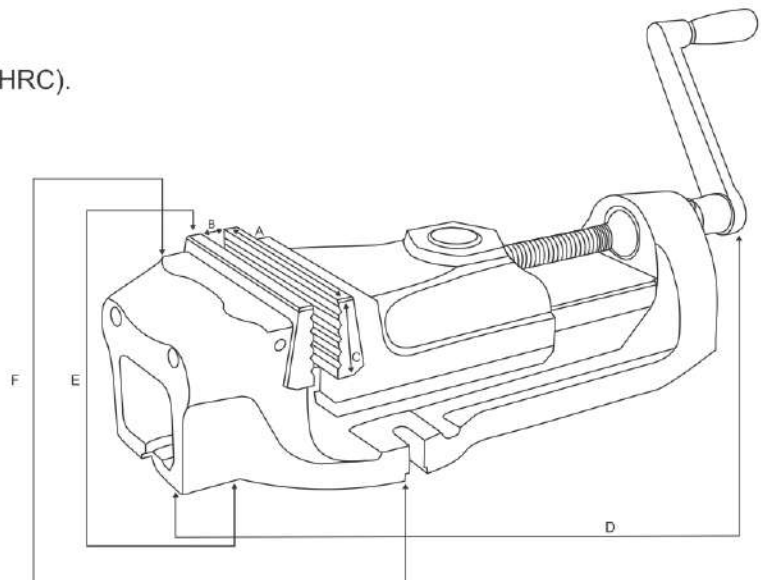
● U 3210

FEATURES

- Rigid Material Vise Body of Ductile Iron.
- Both jaws plates are in pull-down angle. This ensures Anti-Lift Clamping of the Workpiece.
- Trouble Free Performance.
- Accuracy in squareness within 0.02/100 MM
- Jaw Plates are made out of Tool Steel (45-50 HRC).

SPECIFICATIONS

	SIZE IN INCHES	6
A	Width of jaws in mm	165
B	Opening of jaws in mm	150
C	Depth of jaws in mm	56
D	Length overall in mm	550
E	Height overall U 3210	135
	Height overall U 3210 S	175
F	Width Overall U 3210	230
	Width Overall U 3210 S	270
	Tenon slot Size in mm	20
	Weight (Approx) in kgs U 3210	43
	Weight (Approx) in kgs U 3210 S	54



UNIQUE TILT LOCK MACHINE VICE KURT TYPE SWIVEL BASE CODE NO. U350S FIXED BASE CODE NO. U350



U 350 S



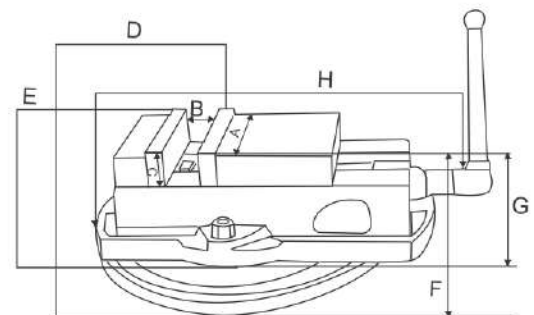
U 350

FEATURES

- Rigid Material Vice Body of Ductile Iron.
- Fitted with Thrust Bearing for Smooth Movement
- UniqueTilt Lock Vices can with stand heavy jobs.
- Top & Bottom of vice bed, bottom & both sides of jaws & all jaw mounting surfaces are precision ground.
- By reversing the jaw plates the jaws are raised & can be fitted to both ends of the fixed jaws & the moveable jaws.
- The four different positions of jaw plates pair are available for more gripping area.
- Coolant through on vise body and swivel base.
- Chip clearance holes no dead pockets.
- Swivel handle allows the screw head revolved on machine table.
- The vice can be disassembled and repaired by regrinding.
- Supplied with Stopper for Fast Production

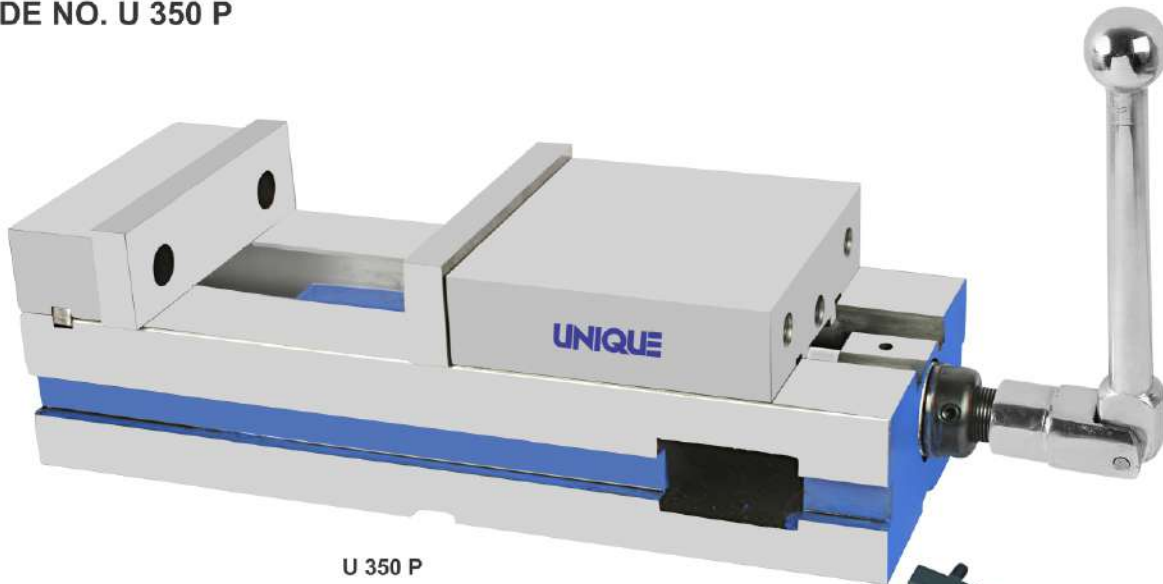
SPECIFICATIONS

SIZE IN INCHES		Opening 200MM		Opening 250MM			
		4	5	6	6	8	8
A	Width of jaws in mm	100	125	150	150	200	200
B	Opening of jaws in mm	100	120	150	200	200	250
C	Depth of jaws in mm	40	40	45	45	60	60
D	Width Swivel Base in mm	225	270	310	310	410	410
E	Width Fixed Base in mm	175	205	220	220	310	310
F	Height Swivel Base in mm	140	145	170	170	220	220
G	Height Fixed Base in mm	100	100	125	125	160	160
H	Length overall in mm	345	375	460	460	595	595
	Tenon slot size in mm	16	16	20	20	20	20
	Weight (Approx) in kgs. Swivel Base	21	29	48	48	104	104
	Weight (Approx) in kgs. Fixed Base	16	21	35	35	74	74
2	Opening	150	170	215	265	300	350
3	Opening	230	250	310	360	400	450
4	Opening	270	295	370	420	490	540



UNIQUE PRECISION COMPACT LOCK MACHINE VICE

CODE NO. U 350 P



U 350 P

FEATURES

- This vice can be clamped vertical or either side.
- High clamping force can be achieved by effortless handle movement which eliminates hammering on handle.
- Hardened jaws maintain accuracy for long time.
- Enhanced body structure reduces the deflection in operation while the vice mounted vertical or horizontal.
- Ductile iron body.
- Sealed bearing system reduces clamping pressure and increases bearing life.
- Accuracy in parallelism & squareness within 0.02/100mm
- No work piece tilt after clamping.
- All parts are interchangeable
- Tenon and tenon slots provided for effortless truing of vice.
- **SUPPLIED WITH STOPPER FOR FAST PRODUCTION**



SPECIFICATIONS

	SIZE IN INCHES	6
Width of jaws in mm		150
Max. Opening with standard jaw position		200
Max. jaw opening with jaw reversed		430
Depth of jaws in mm		45
Overall length in mm		515
Overall height in mm		125
Nett weight in kgs		35
Tenon slot size in mm		20

UNIQUE ANGLE LOCK SELF CENTERING VICE

CODE NO. U 350 SCV



U 350 SCV

FEATURES

- This vice can be clamped vertical or either side.
- High clamping force can be achieved by effortless handle movement which eliminates hammering on handle.
- Hardened jaws maintain accuracy for long time.
- Enhanced body Structure reduces the deflection in operation while the vice mounted vertical or horizontal.
- Ductile iron body.
- Sealed bearing system reduces clamping pressure and increases bearing life.
- Accuracy in parallelism & squareness within 0.02/100mm
- No work piece tilt after clamping.
- All parts are interchangeable
- Tenon and tenon slots provided for effortless truing of vice.
- **SUPPLIED WITH STOPPER FOR FAST PRODUCTION**

SPECIFICATIONS

	SIZE IN INCHES	6
Width of jaws in mm		150
Max. Opening with standard jaw position		200
Max. jaw opening with jaw reversed		430
Depth of jaws in mm		45
Overall length in mm		490
Overall height in mm		125
Nett weight in kgs		36
Tenon slot size in mm		20

UNIQUE SUPER MILLING VICE

Bridge Port Type

SWIVEL BASE CODE NO. U309S

FIXED BASE CODE NO. U309

Code No.U309 S

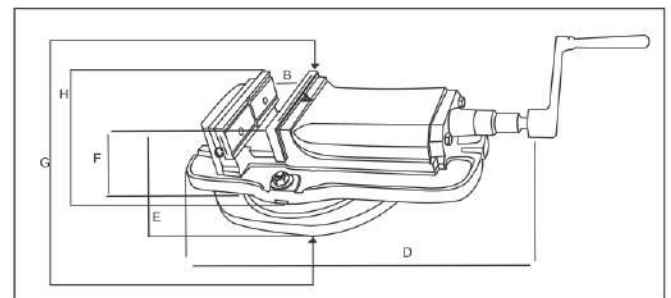


FEATURES

- Fitted with Thrust Bearing for Smooth Movement
- Sturdy & accurately made machine vices from graded casting.
- Fine acme thread screw.
- Jaws are made of special steel properly hardened, fixed jaw is provided with vertical & horizontal 'V' groove to hold the round job firmly.
- The swivel base is graduated fully through 360°.
- Vice can be converted from swivel base to fix by removing the base.
- Quick alignment to machines through longitudinal slot provided in base & body.
- Crank handle is made of unbreakable steel provided with a spring loaded mechanism providing positive grip.
- Body is provided with water channel.
- Depth of jaws is more to hold heavy jobs.
- Supplied with Stopper for Fast Production

SPECIFICATIONS

	SIZE IN INCHES	4	5	6	8
A	Width of jaws in mm	100	125	150	200
B	Opening of jaws in mm	100	125	150	200
C	Depth of jaws in mm	45	50	55	65
D	Length overall in mm	344	400	470	610
E	Height overall U309S in mm	120	130	140	160
F	Height overall U309 in mm	90	100	110	120
G	Width overall U309S in mm	208	250	270	310
H	Width overall U309 in mm	165	192	220	275
	Tenon Slot Size in mm	16	20	20	20
	Weight (Approx) U309S in kgs.	17	30	38	66
	Weight (Approx) U309 in kgs.	13	20	29	52



UNIQUE MILLING MACHINE VICE

SWIVEL BASE CODE NO. U310S
 FIXED BASE CODE NO. U310
 Code No. U 310 S



FEATURES

- Fitted with Thrust Bearing for Smooth Movement
- Sturdy & accurately made machine vices from graded casting.
- Fine acme thread screw.
- Jaws are made of special steel properly hardened, fixed jaw is provided with vertical & horizontal 'V' groove to hold the round job firmly.
- The swivel base is graduated fully through 360°.
- Vice can be converted from swivel base to fix by removing the base.
- Quick alignment to machines through longitudinal slot provided in base & body.
- Crank handle is made of unbreakable steel provided with a spring loaded mechanism providing positive grip.
- Supplied with Stopper for Fast Production

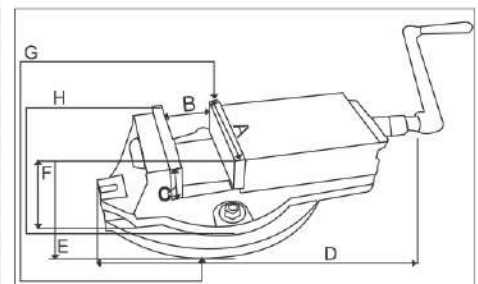


STOPPER

ALSO AVAILABLE IN DUCTILE IRON (UNBREAKABLE BODY)

SPECIFICATIONS

	SIZE IN INCHES	2	3	4	5	6	8	10	12
A	Width of jaws in mm	50	75	100	125	150	200	250	300
B	Opening of jaws in mm	50	75	100	125	150	200	250	300
C	Depth of jaws in mm	25	35	40	50	50	60	75	75
D	Length overall in mm	210	280	340	410	470	610	770	830
E	Height overall U310S in mm	80	100	125	140	150	165	190	190
F	Height overall U310 in mm	55	70	90	105	110	120	140	140
G	Width overall U310S in mm	97	144	168	206	250	318	372	452
H	Width overall U310 in mm	85	128	157	195	240	300	350	416
	Tenon slot Size in mm	16	16	16	20	20	20	-	-
	Weight (Approx) U310S in kgs	3.5	9	16	27	40	73	132	175
	Weight (Approx) U310 in kgs.	2	6	12	21	30	55	105	140



UNIQUE PRECISION MILLING MACHINE VICE J & S TYPE (ENGLAND) FIXED BASE CODE NO. U348N SWIVEL BASE CODE NO. U348NS

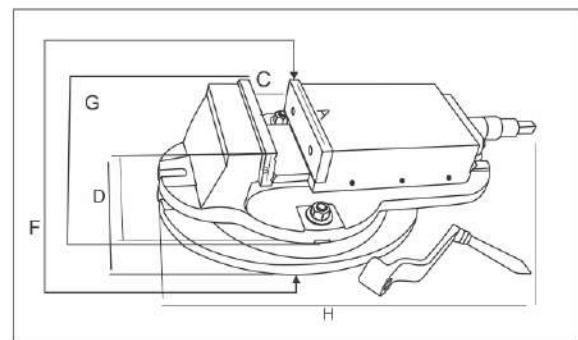


FEATURES

- Fitted with Thrust Bearing for Smooth Movement
- Body and base are made of special high strength fine-grain Cast iron for toughness and rigidity.
- Moving Jaw run in long Prismatic slides with provision for wear adjustment.
- The removable hardened steel Jaws. Fix jaw provided with "V" grooves.
- The totally enclosed acme thread adjusting screw with a replacable screw bushing & thrust collar.
- The vice can be fitted to the tool table with or without the 360° graduated base.
- The vice can be centered using longitude tenon slots. Supplied complete with handle.
- Crank handle is made of unbreakable steel provided with a spring loaded mechanism providing positive grip.
- Supplied with Stopper for Fast Production

SPECIFICATIONS

SIZE IN INCHES		4	6	8
A	Width of jaws in mm	100	150	200
B	Depth of jaws in mm	40	50	58
C	Opening of jaws in mm	100	150	200
D	Height overall in mm U348 NS	120	150	180
E	Height overall in mm U348 N	90	110	130
F	Width overall in mm U348 NS	176	289	332
G	Width overall in mm U348 N	152	248	300
H	Length overall in mm	340	490	670
	Tenon slot size in mm	16	20	20
	Weight (Approx) in kgs. U348 NS	17	47	84
	Weight (Approx) in kgs. U348 N	13	35	63



UNIQUE TILTING & SWIVELLING VICE

Code No. U312



U312

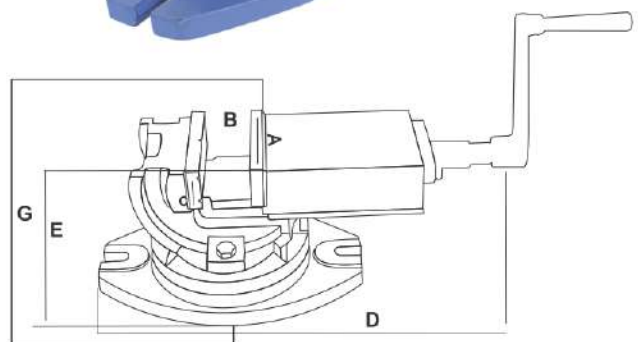
FEATURES

- Fitted with Thrust Bearing for Smooth Movement
- Positive locking to withstand heavy loads.
- Horizontal Swivel movement 360°.
Vertical swivel movement 90°.
- Fine acme thread screw made out of special steel.
- Quick alignment to machine tables using a longitudinal slot.
- One vertical Two horizontal 'V' grooves are provided in hardened and ground jaws
- Crank Handle is made of unbreakable steel provided with a spring loaded mechanism.
- Supplied with Stopper for Fast Production

ALSO AVAILABLE IN DUCTILE IRON (UNBREAKABLE BODY)

SPECIFICATIONS

SIZE IN INCHES		2	3	4	5	6	8
A	Width of jaws in mm	50	80	100	125	150	200
B	Opening of jaws in mm	50	75	100	125	150	200
C	Depth of jaws in mm	25	38	42	50	50	60
D	Length overall in mm	210	285	370	450	540	640
E	Height overall in mm	95	225	160	170	195	220
G	Width overall in mm	105	140	170	228	236	280
	Tenon Slot Size in mm	16	16	16	20	20	20
	Weight (Approx) in kgs.	4	8.5	18	30	44	73



UNIQUE PRECISION TILTING AND SWIVELLING VICE J & S TYPE (ENGLAND) CODE NO. U349 N



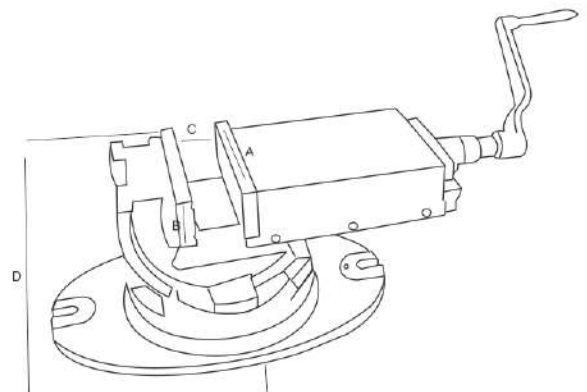
U349 N

FEATURES

- Fitted with Thrust Bearing for Smooth Movement
- Body and base are made of special high strength fine-grain Cast iron for toughness and rigidity.
- Moving Jaw run in long Prismatic slides with provision for wear adjustment.
- The removable hardened steel Jaws. Fix jaw is provided with "V" grooves.
- The totally enclosed acme thread adjusting screw with a replacable screw bushing & thrust collar.
- The vice can be centered using longitude tenon slots. Supplied complete with handle.
- Crank handle is made of unbreakable steel provided with a spring loaded mechanism providing positive grip.
- Vertical tilting capacity through 90° Positive locking to withstand heavy loads.
- Supplied with Stopper for Fast Production

SPECIFICATIONS

SIZE IN INCHES		4	6
A	Width of jaws in mm	100	150
B	Depth of jaws in mm	40	50
C	Opening of jaws in mm	100	150
D	Height overall in mm	165	195
	Length Overall	370	540
	Width Overall	170	236
	Tenon slot size in mm	16	20
	Weight (Approx) in kgs.	18	44



UNIQUE 3 WAY UNIVERSAL TILT & SWIVEL ANGLE VICE CODE NO. U330.



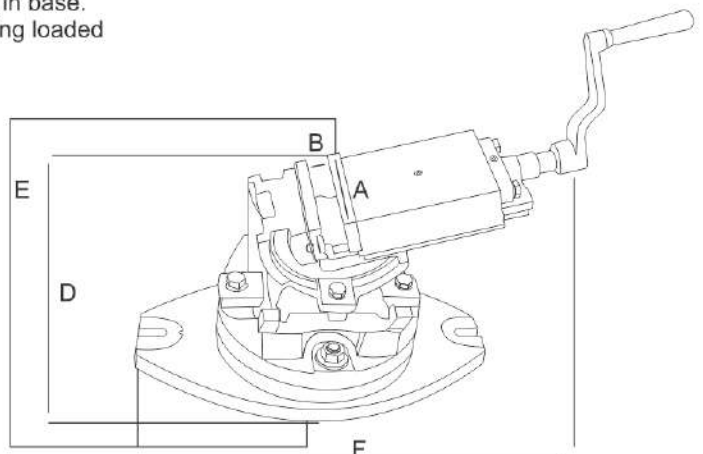
U330.

FEATURES

- Fitted with Thrust Bearing for Smooth Movement
- Body is made of grey cast iron.
- High quality ACME steel screw.
- Hardened & accurately ground jaws provided with 'V' groove
- This vice can set up at any angle with positive locking.
- Upper angle base can incline from the horizontal position to the vertical position.
- The lower angle setting base can incline up to 45° in both right & left directions.
- The entire unit may be swivelled on a base plate through 360°
- Quick alignment to machines through longitudinal slot provided in base.
- Crank handle is made of unbreakable steel provided with a spring loaded mechanism providing positive grip.
- Supplied with Stopper for Fast Production

SPECIFICATIONS

	SIZE IN INCHES	2	3	4	6
A	Width of jaws in mm	50	75	100	150
B	Opening of jaws in mm	50	75	100	150
C	Depth of jaws in mm	24	34	42	55
D	Overall Height in mm	110	167	220	290
E	Width Overall	105	140	235	280
F	Overall Length in mm	210	275	420	570
	Base Tenon Slot in mm	12	12	20	20
	Weight (Approx) in kgs.	4	11	34	62



UNIQUE UNIVERSAL MACHINE VICE CODE NO. U313



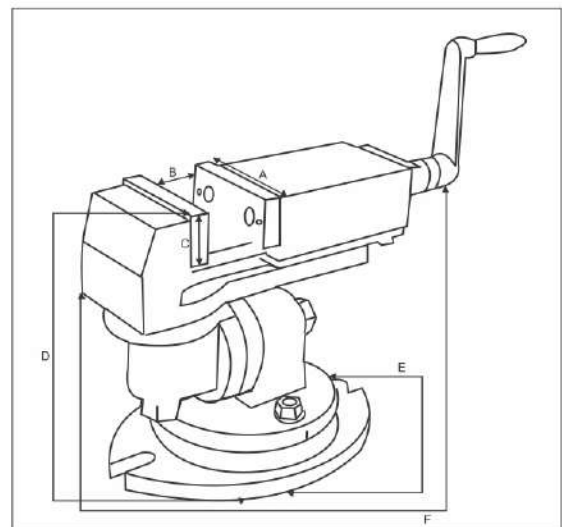
U313

FEATURES

- Accurately designed for use on surface, universal tool & cutter grinding machines.
- Unbreakable steel body.
- Accurately ground jaws made out of special steel for firm grip.
- All swivelling movements have positive locking and the job can be locked at any compound angle.

SPECIFICATIONS

	SIZE IN INCHES	2	3	4	6
A	Width of jaws in mm	50	75	100	150
B	Opening of jaws in mm	50	75	65	115
C	Depth of jaws in mm	25	35	32	40
D	Height overall in mm	140	190	175	225
E	Width Overall	104	145	135	220
F	Length Overall	168	240	345	395
	Tenon Slot size in mm	12	12	16	16
	Weight (Approx) in kgs.	4.3	12	12	25



UNIQUE SHAPER VICE

SWIVEL BASE CODE NO. U311S
FIXED BASE CODE NO. U311



U311S



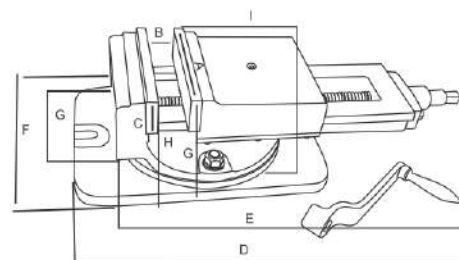
U311

FEATURES

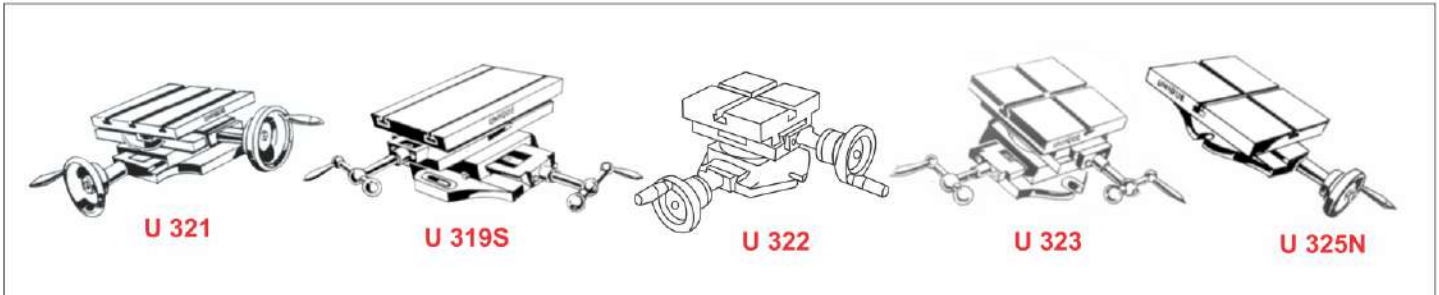
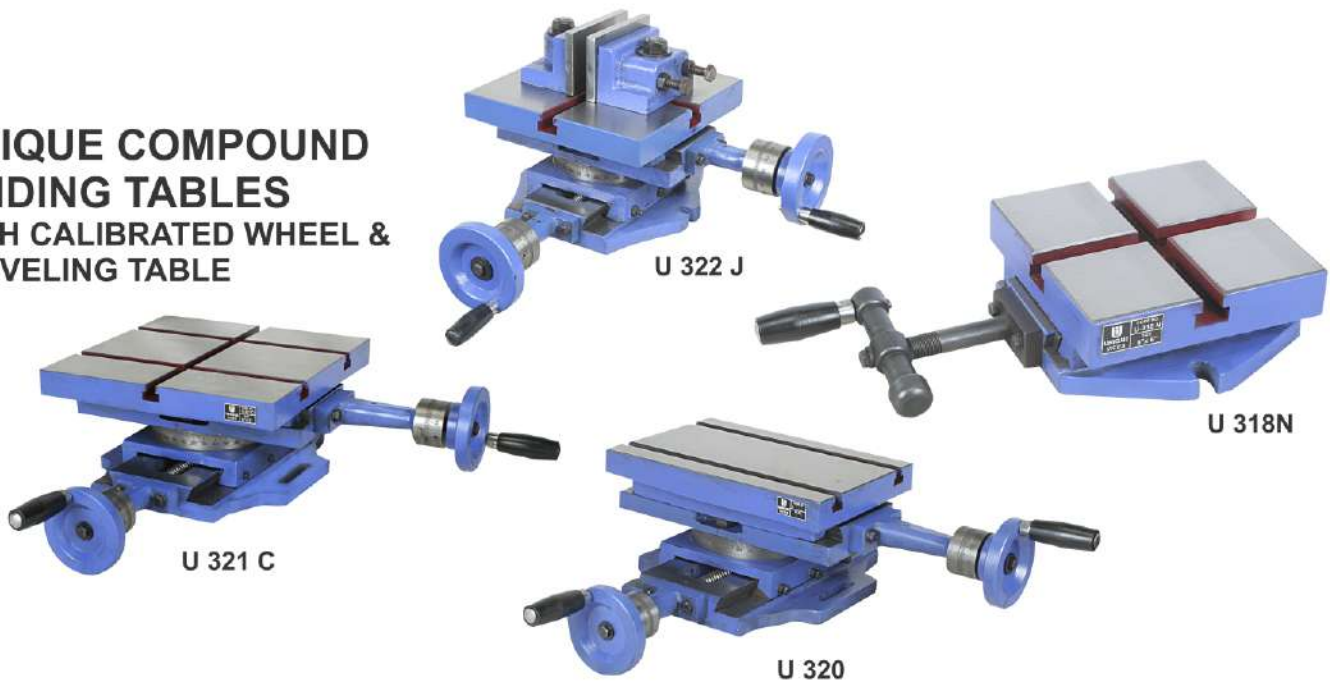
- Heavy duty shaper vice sturdy constructed from close grain casting for use on shaper machines, planners & other heavy duty machines permitting wider application for taller work pieces.
- It is designed to permit maximum opening jaws to hold heavy & taller jobs.
- High tensile steel square thread screw.
- The jaws are made of special steels. These are precisely ground & serrated to ensure firm grips on heavy jobs..
- Swivel base is indexed to 360°, when required to use as stationery vice, the base can be removed.
- Crank Handle is made of unbreakable steel, provided with a spring loaded mechanism providing positive grip.

SPECIFICATIONS

	SIZE IN INCHES	6	8	10	12	16
A	Width of jaws in mm	150	200	250	300	400
B	Opening of jaws in mm	200	250	300	360	400
C	Depth of jaws in mm	50	60	75	75	75
D	Length overall U311S in mm	530	700	770	860	910
E	Length overall U311 in mm	475	635	710	800	850
F	Width overall U311S in mm	220	290	320	380	480
G	Width overall U311 in mm	200	280	320	360	460
H	Height overall U311S in mm	155	170	200	200	225
I	Height overall U311 in mm	120	130	160	165	190
	Weight (Approx) U311S in kgs	32	64	105	145	200
	Weight (Approx) U311 in kgs.	25	47	79	102	145



UNIQUE COMPOUND SLIDING TABLES WITH CALIBRATED WHEEL & SWIVELING TABLE



FEATURES

- Unique Precision Sliding Tables are meant for accurate boring, drilling grinding and milling operations.
- Grey iron casting properly machined and grinded with a Unique process provides accuracy well within 0.01mm/100mm tolerance.
- Toughened lead screw having acme threads running smoothly in phosphorus Bronze Nut.
- Dovetail slides have adjustable steel ribs for smooth running and adjustment.

SPECIFICATIONS

Code No.	U320		U321 & U321C			U322J	U322				U325N	U325N	U319	U319S	U323
											&U318N	&U318N			
SIZE IN INCHES	12x8	12x6	12x12	12x20	16x16	8x8	4x4	6x6	8x8	10x10	8x8	6x6	12x8	12x8	12x8
Table Size in mm	300x200	300x150	300x300	300x500	400x400	200x200	100x100	150x150	200x200	250x250	200x200	150x150	300x200	300x200	200x200
Height in mm	150	150	150	165	170	190	105	120	130	130	65	60	125	145	120
Length Overall in mm	460	460	460	680	620	300	160	275	300	350	295	260	510	510	350
T. Slot Size in mm	13	13	13	16	16	13	13	13	13	13	13	13	14	14	10
Travel Bothways in mm	225	225	225	430, 310	300	125	65	105	125	125	125	105	200	200	125
Width of Jaws in mm	-	-	-	-	-	100	-	-	-	-	One way	One way	-	-	-
Depth of Jaws in mm	-	-	-	-	-	60	-	-	-	-	-	-	-	-	-
Calibration	90°	90°	90°	90°	90°	90°	90°	90°	90°	90°	-	-	-	90°	90°
Wheels graduation in inches	.002"	.002"	.002"	.001"	.001"	.001"	.001"	.001"	.001"	.001"	.001"	.001"	-	-	-
Weight Approx. in kgs	40	36	44	103	80	23	7	14	20	24	12	8	34	35	17

UNIQUE ROTARY MILLING TABLES



U 336



U 335



U 334



U 337

FEATURES

- The Table & Body manufactured from close grain shock resisting cast iron.
 - The body is provided with two bolt slots in Code No. U335 & U337 for mounting on machine
 - Table vertically & Horizontally.
 - Provided with quick & precise disengagement of worm drive.
 - Efficient lock provided.
 - End play in wormshaft is adjustable.
 - An eccentric sleeve with thrust Bearing races in the worm shaft.
 - Provision for fine zero adjustment when setting work piece. Works as an index centre in the vertical position as well as conventional Rotary Table graduated 360° Indexing Plate is provided
 - to enable the user to convert quickly to use indexing plates for fast setting.
 - Direct reading to 2 minutes for size 6", 8" & 10" on hand wheel scale.
 - Direct reading to 1 minute for size 12", 15", 18" & 20" in hand wheel scale.
- High accuracy, easy reading of all dials clear & functional arrangement of all operating elements sturdy yet simple good looking practical design. These are widely used for circular cutting, angle setting, boring & spot facing with a milling machine.

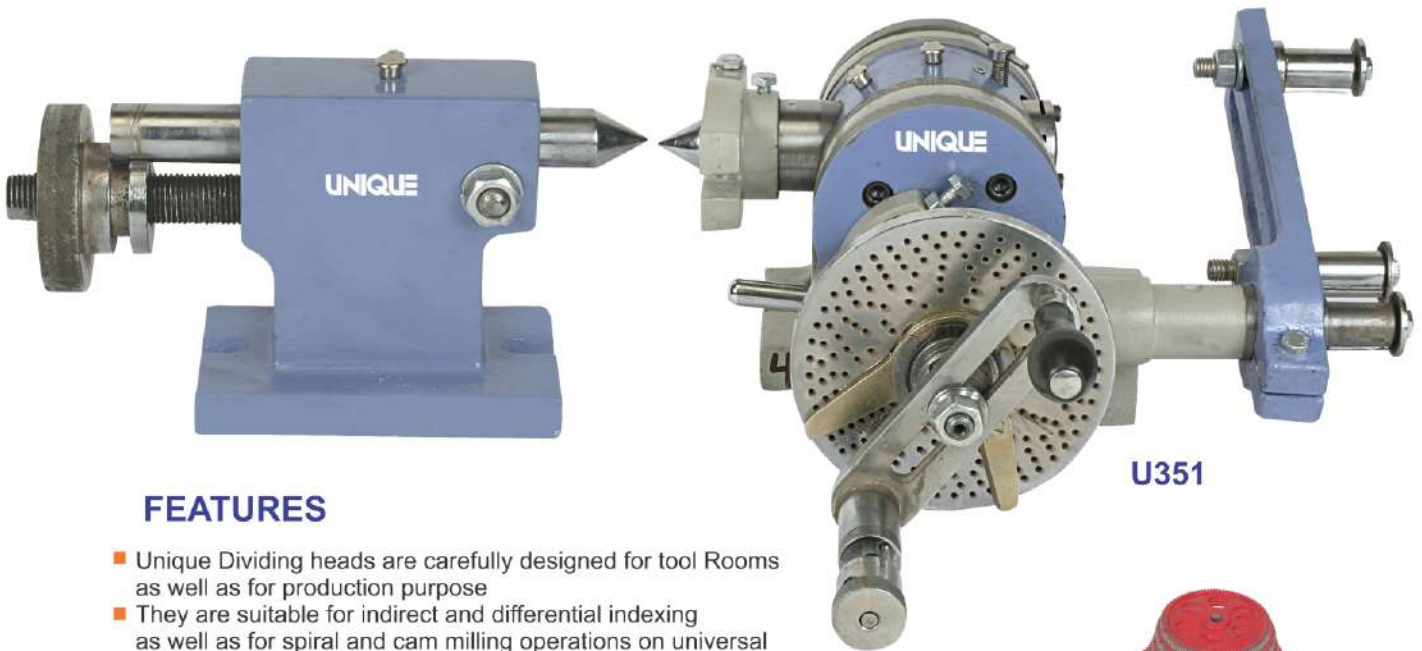
SPECIFICATIONS

SIZE IN INCHES	4	6	8	10	12	15	18	20
Dia. of Table in mm	100	150	200	250	300	375	450	500
Table slot in mm	8	9	12	12	16	16	20	20
Centre Bush Bore	MT No.-1	MT No.-2	MT No.-3	MT No.-3	MT No.-3	MT No.-3	MT No.-4	MT No.-4
Worm & Gear Ratio	1.72	1.72	1.72	1.72	1.120	1:120	1:120	1:120
Calibration	2 Min	2 Min	2 Min	2 Min	1:Min	1:Min	1:Min.	1:Min.
Overall Height in mm								
Vertical U335 & U337	153	250	290	360	430	540	620	670
Horizontal U334 & U336	-	100	100	110	135	135	170	172
Base to centre U335- U337	84	130	155	175	215	270	305	335
No. of indexing Holes	-	19, 27, 30, 33, 41, 47			19, 27, 30, 33, 41, 47, 53, 61			
	-	23, 25, 28, 31, 39, 43			23, 25, 28, 31, 39, 43, 51, 59,			
Approx. weight in kgs.								
Code No. U334	-	17	26	38	68	100	195	212
Code No. U336	-	19	28	40	71	104	197	210
Code No. U335	5	18	27	40	73	111	210	230
Code No. U337	5.6	20	29	42	76	114	212	232
Width Overall U334,336	155	255	290	375	420	545	600	600
Width Overall U335,337	64	100	104	110	135	140	170	170

ACCURACY :-

- Maximum error 2 minutes of circular division using hand wheels.
- Table flat to within 0.005mm/100mm.
- Working surface rotates in its own plane to within 0.01 mm.
- Horizontal & vertical supporting surface square within 0.01mm/100mm..
- Centre bush bore is true to table axis within 0.008 mm.
- Maximum parrallism error through 360° rotation of table is 0.001mm.

UNIQUE DIVIDING HEAD CODE NO. U351



U351

FEATURES

- Unique Dividing heads are carefully designed for tool Rooms as well as for production purpose
- They are suitable for indirect and differential indexing as well as for spiral and cam milling operations on universal milling machine.
- Unique dividing heads are manufactured from Selected high quality material with Superior workmanship.

SPECIFICATIONS

SIZE IN INCHES	4.1/2	5.1/2	6.1/2	7-1/2
Gear worm ratio	1:40	1:40	1:40	1:40
Centre height in mm	115 mm	142 mm	165 mm	190mm
Spindle Bore in mm	20 mm	32 mm	38 mm	50mm
Spindle Taper	9°	9°	9°	9°
Overall height Vertical position in mm	180	230	260	290
Length of base in mm	180	230	260	270
Width of base in mm	115	150	170	180
Weight in kgs.	40	65	92	98



INDEXING PLATES

	4.1/2", 5-1/2"	6.1/2", 7-1/2"
SIDE A	11,16,19,25,37,41,49	7,13,16,19,20,23,27,31,33,39,47,53
SIDE B	13,17,18,27,33,43,51	9,11,15,17,18,21,25,29,37,41,49,51
SET OF GEARS	24,24,28,32,36,40,44 48,56,64,72,86,100 teeth D.P 14	24,24,28,32,36,40,44 48,56,64,72,86,100 teeth D.P 12

Indexing Milling Fixture Horizontal & Vertical (With Chuck & Tail Stock)

CODE NO. U-1335

Description

Entire range of horizontal, vertical indexed milling operations can be done with our range of products. Job Clamping is fast, indexing is quick thereby increasing production efficiency. Indexing Fixture models cover the advantage of conventional Dividing Head and Rotary Table put together.

Movable Parts are hardened & Ground for long life. Indexing accuracy is precise and products can be used on surface grinding also.

Combination of ball bearings and taper roller bearings on jig bored holes for accurate & easy rotation. Tail Stock with lead screw movement is provided for center support of long shaft / jobs. Tail Stock Center is sliding in hardened and accurately ground bushes. In most models, 24 indexing positions are provided. There is also a graduated collar with 1 deg least count which facilitates odd degree indexing also. With all these additional advantages, fixtures are priced much lower than conventional dividing head or rotary table.



U1335



Technical Specification

Sr. No.	Model No.	Length (mm)	Width (mm)	Height (mm)	Std. Indexing Positions	Approx. Weight (kg)	Center Height	Chuck Details	Indexing Accuracy
1	IMF H/V 080	200	110	185	24	24	85	With 80 mm 3 jaws chuck	0.03 15 s
2	IMF H/V 100	200	110	185	24	25	85	With 100 mm 3 jaws chuck	0.03 15 s
3	IMF H/V 125	200	110	185	24	30	85	With 125 mm 3 jaws chuck	0.03 15 s
4	IMF H/V 160	225	140	240	24	45	120	With 160 mm 3 jaws chuck	0.03 15 s
5	IMF H/V 200	225	140	240	24	50	140	With 200 mm 3 jaws chuck	0.03 15 s

UNIQUE TILTING INDEXING DEVICE

Code No. U1333



U1333

SIZE IN INCHES	4	8
Diameter Chuck (in mm)	100	200
Length (in mm)	250	300
Width (in mm)	220	280
Height (in mm)	190	170
Swivel	360°	360°
Tilting	90°	90°
Slots Distance (in mm)	170	275
Weight (Approx) in Kgs.	16	62

UNIQUE PRECISION SCREW LESS VICE

CODE NO. U 421

SPECIFICATIONS

Size in Inches	2-1/2	3	4	6
Width of Jaws	50	76	94	150
Opening of Jaws	75	100	135	190
Depth of Jaws	28	35	45	48
Height Overall	53	64	84	96
Width Overall	50	76	95	150
Length Overall	155	180	232	330
Weight (App.Kg)	1.7	3.7	7.6	19.4



CODE NO. U 421

UNIQUE PRECISION GRINDING VICE

CODE NO. U 422

SPECIFICATIONS

Size in Inches	2-1/2	3	4	6
Width of Jaws	60	75	94	150
Opening of Jaws	55	90	104	150
Depth of Jaws	25	42	45	50
Height Overall	45	72	90	96
Width Overall	60	75	94	150
Length Overall	160	250	285	360
Weight (App.Kg)	1.4	5.2	9.7	20.6



CODE NO. U 422

UNIQUE PRECISION SINE VICE-PIN TYPE

CODE NO. U 424

SPECIFICATIONS

Size in Inches	3
Width of Jaws	75
Opening of Jaws	95
Depth of Jaws	40
Height Overall	105
Width Overall	96
Length Overall	195
Weight (App.Kg)	6.6



CODE NO. U 424

UNIQUE PRECISION SINE VICE-LEAD SCREW TYPE

CODE NO. U 425

SPECIFICATIONS

Size in Inches	3
Width of Jaws	75
Opening of Jaws	85
Depth of Jaws	40
Height Overall	100
Width Overall	75
Length Overall	205
Weight (App.Kg)	6.6



CODE NO. U 425

SPECIFICATIONS

SIZE IN INCHES	6	8
Width of jaws in mm	150	200
Height of Jaws	73	80
Width Overall	180	245
Length overall in mm	330	340
Tenon slot in mm	17	20
Clamp Travel in mm	15	15
Weight (Approx) in kgs.	14	18.5

UNIQUE MILLING VICE

TWO PIECE ADJUSTABLE

CODE No. U331

FEATURES

- Full length of the machine bed can be used .
- Hardened and ground jaws.
- Body made of graded casting.



U 331

**UNIQUE SELF CENTERING
SHAFT VICE Code No. U 343
(FITTED WITH BALL BEARINGS)
DUCTILE IRON BODY**

SIZE IN MM	80	150
Width of jaws in mm	105	170
Holding Capacity	20-80	90-150
Reversible Jaws Capacity	10-28	50-90
Height Overall	175	145
Width Overall	210	275
Length Overall	290	430
Weight (App. Kg.)	26	62



U 343

**UNIQUE SELF CENTERING VICE
SWIVEL BASE U314S
FIXED BASE U314**

FEATURES

- Body made out of special graded casting.
- Hardened Steel Jaws provided "v" grooves for round Jobs both Horizontally & Vertically.
- Special Steel Screw is provided for long life.
- Swivel Base to rotate 360° is provided in U314S.

SPECIFICATIONS

SIZE IN INCHES	U314			U314S		
	2	3	4	3	4	6
Width of jaws in mm	50	80	100	80	100	150
Opening of jaws in mm	80	110	130	110	140	190
Depth of jaws in mm	30	32	38	30	40	55
Height overall in mm	60	70	80	100	125	150
Width overall in mm	100	150	175	100	130	165
Length overall in mm	230	305	330	300	380	475
Weight (Approx) in kgs.	2.5	6	8.500	5.500	10	21



U314S



U 314

**UNIQUE PRECISION SELF
CENTRING VICE
SWIVEL BASE - U 1314 S**

SPECIFICATIONS

SIZE IN INCHES	4	6
Width of jaws in mm	100	150
Opening of jaws in mm	100	150
Depth of jaws in mm	45	55
Height overall in mm	125	160
Width overall in mm	175	240
Length overall in mm	265	400
Weight (Approx) in kgs.	16	35



U 1314S



UNIQUE PRECISION MACHINE VICE SWIVEL BASE CODE No. U329

FEATURES

- Made of Ductile Iron (Unbreakable Steel Body)
- Unique design for high accuracy.
- Minimum vibration.
- Low height with rigidity.

SPECIFICATIONS

SIZE IN INCHES	4	6
Width of jaws in mm	100	150
Opening of jaws in mm	65	115
Depth of jaws in mm	30	40
Height overall in mm	112	144
Width Overall	112	150
Length Overall	310	460
Weight (Approx) in kgs.	7	20
Tenon Slot in mm	16	16



U 347

UNIQUE ARMATURE BEARING PULLER VICE CODE NO. U 3307 HEAVY DUTY



U 3307

SPECIFICATIONS

SIZE IN INCHES	4
Width of jaws in mm	120
Opening of jaws in mm	75
Depth of jaws in mm	60
Height Overall	85
Width Overall	155
Length Overall	250
Weight (Approx) in kgs.	5

UNIQUE VERTICLE SLIDING TABLE CODE NO. U 319

SPECIFICATIONS

SIZE IN INCHES	7x10
Table Size in mm	175x250
Height in mm	270
Length Overall in mm	465
T. Slot Size in mm	13
Sliding Travel	180
Swivel Graduation	180°
Wheels graduation in inches	0.002
Weight Approx. in kgs	23.5



U329

DRILL PRESS VICE PRECISION CODE No. U347

FEATURES

- Made of Ductile Iron (Unbreakable Steel Body)
- "v" for round Jobs is provided vertically and horizontally.
- Special Steel Hardened jaws.
- Ideal for drilling operations.

SPECIFICATIONS

SIZE IN INCHES	3	4	5
Width of jaws in mm	75	100	125
Opening of jaws in mm	75	100	125
Depth of jaws in mm	35	40	50
Height Overall	55	70	78
Width Overall	112	147	180
Length Overall	195	250	325
Weight (Approx) in kgs.	2.6	4.8	8.5

UNIQUE DRILL MACHINE VICE CODE NO. U 3306

DUCTILE IRON (UNBREAKABLE BODY)



U 3306

SPECIFICATIONS

SIZE IN INCHES	3	4	6
Width of jaws in mm	80	100	155
Opening of jaws in mm	100	130	175
Depth of jaws in mm	45	45	60
Height Overall	75	75	100
Width Overall	135	165	230
Length Overall	255	280	370
Weight (Approx) in kgs.	4	5	11



UNIQUE DRILL VICE (GERMAN TYPE)

Code No. U328

FEATURES

- Body made from graded casting.
- "v" groove is provided for irregular sections.
- Moving jaw runs smoothly on two grinded rods.

SPECIFICATIONS

SIZE IN INCHES	3	4	5	6
Width of jaws in mm	80	100	125	150
Opening of jaws in mm	75	100	120	150
Depth of jaws in mm	25	25	36	36
Height overall in mm	68	72	90	90
Width overall in mm	130	160	195	225
Length overall in mm	260	320	365	410
Weight (Approx) in kgs.	3.6	6.5	11	14
Tenon Slot in mm	10	10	12	12



U 328

UNIQUE PRECISION DRILL VICE

Code No. U324

FEATURES

- Body made from graded casting.
- Hardened & ground Jaws provided with "v" groove for holding round Jobs both horizontally & vertically.
- Hexagonal handle.
- Curved Steel holding slot for variable Centers.

SPECIFICATIONS

SIZE IN INCHES	2-1/2	3	4	5	6
Width of jaws in mm	60	80	100	120	150
Opening of Jaws	60	80	100	145	190
Depth of Jaws	24	28	35	40	50
Height Overall	48	55	64	80	105
Width overall in mm	135	156	200	225	265
Length overall in mm	250	285	340	415	465
Weight (Approx) in kgs.	2.4	3.7	7	13	22.5
Tenon slot in mm	10	10	13	13	13



U 324



U 307P

UNIQUE PRECISION UNIGRIP VICE

Code No. U307 P

SPECIFICATIONS

SIZE IN INCHES	3	4	5	6
Width of jaws in mm	75	100	125	150
Opening of jaws in mm	77	100	125	170
Depth of jaws in mm	30	30	37	40
Height Overall	60	60	64	75
Width Overall	140	150	185	210
Length Overall	230	285	360	420
Slot Size in mm	12	12	14	14
Jaw Slot in mm	7	7	7	7
Weight (Approx) in kgs.	3	4	6	8



U 3307P

UNIQUE 3 WAY PRECISION DRILL VICE

(WITH THREE MOUNTING OPTIONS)

Code No. U3307 P

SPECIFICATIONS

SIZE IN INCHES	3	4
Width of jaws in mm	75	100
Opening of jaws in mm	80	100
Depth of jaws in mm	30	30
Height Overall	60	60
Width Overall	145	160
Length Overall	211	285
Slot Size in mm	13	14
Jaw Slot in mm	8	8
Weight (Approx) in kgs.	3	4.5



U 317

UNIQUE DRILL PRESS VICE

CODE NO. U317

FEATURES

- Body close grain cast iron.
- Special steel ground jaws provided with "V" groove for holding round jobs.
- Lead screw of special steel is provided.
- Four "T" slots are provided on the both sides for rigid grip on drilling machine.

SPECIFICATIONS

SIZE IN INCHES	3	4	6
Width of jaws in mm	80	100	150
Depth of jaws in mm	45	60	60
Opening of jaws in mm	75	115	155
Height overall in mm	70	85	100
Length overall in mm	230	275	155
Width overall in mm	145	185	245
Slot size in mm	10	13	13
Weight (Approx) in kgs.	4.500	8	15.5



U 306

UNIQUE DRILL VICE (HEAVY DUTY)

CODE NO. U306

FEATURES

- Body close grain cast iron.
- Special steel ground jaws provided with "V" groove for holding round jobs.
- Lead screw of special steel.
- Large base for rigid mounting on table is provided with "T" slots for gripping on the drilling machine table.

SPECIFICATIONS

SIZE IN INCHES	3	4	5	6	8	12
Width of jaws in mm	75	100	125	150	200	310
Depth of jaws in mm	40	45	50	50	60	90
Opening of jaws in mm	100	130	135	170	200	340
Height overall in mm	70	75	90	90	100	155
Length overall in mm	250	300	315	380	430	670
Width overall in mm	130	160	190	230	270	395
Slot size in mm	10	10	13	13	13	20
Weight (Approx) in kgs.	5.000	7.500	9.000	15.000	23.000	76

ALSO AVAILABLE IN DUCTILE IRON (UNBREAKABLE BODY)



U 307

UNIQUE UNIGRIP MACHINE VICE

CODE NO. U307

FEATURES

- Compact and Indispensable vice for drilling machines.
- Hardened and ground steel jaws provided with horizontal and vertical notches for holding round, square and irregular jobs.
- Available in cast iron and malleable frame.

SPECIFICATIONS

SIZE IN INCHES	3 1/4	4	6
Width of jaws in mm	80	100	150
Depth of jaws in mm	25	25	35
Opening of jaws in mm (Lower portion)	77	115	140
Opening of jaws in mm (Upper portion)	85	120	155
Length overall in mm	260	320	415
Height overall in mm	50	55	60
Width overall in mm	145	175	230
Weight (Approx) in kgs.	2.6	4	8.5



U 305

UNIQUE DRILL VICE (ECONOMY)

CODE NO. U305

FEATURES

- Made of Ductile Iron (Unbreakable Steel Body)
- This is an economy drill it your self light weight vice.
- Body made of Cast Iron.
- Jaws & screw made of selected steel.

SPECIFICATIONS

SIZE IN INCHES	3	4	5	6
Width of jaws in mm	75	100	125	150
Opening of jaws in mm	80	110	140	150
Depth of jaws in mm	30	35	40	40
Length overall in mm	200	225	275	300
Height overall in mm	45	50	65	65
Width overall in mm	125	160	190	225
Weight (Approx) in kgs	2.0	3	5.7	7.5



U332

UNIQUE TILTING TABLE

CODE No. U332

FEATURES

- This sturdy built tilting table has machined T-Slots.
- Table can be set at any angle.
- Calibration 0-90° inclinable 45°.
- Built to accept accessories and work piece larger than the plate.

SPECIFICATIONS

SIZE IN INCHES	5x7	7x10	10x15
Size of table in mm	125x175	175x250	250x380
Size of T-Slots	12	12	12
Overall height in mm	95	125	155
Calibration	0-90°	0-90°	0-90°
Weight (Approx) in kgs.	8	17	37



U333

UNIQUE SWIVEL ANGLE TABLE

CODE No. U333

FEATURES

- Made of graded cast iron.
- Table is adjustable to any angle from 0 to 90°.
- Machined T-Slots for mounting the job.
- Angle scale is calibrated in 1°.

SPECIFICATIONS

SIZE IN INCHES	5x6	6x8	8x10	10x12	12x15
Size of table in mm	125x150	150x200	200x250	250x300	300x375
Height overall in mm	110	130	165	210	230
T-Slot size in mm	13	13	13	16	16
Weight (Approx) in kgs.	6.50	11.50	21	42	70



U1332

UNIQUE PRECISION UNIVERSAL TILTING TABLE

CODE NO. U 1332

SPECIFICATIONS

SIZE IN INCHES	4x5	6x8	8x10
Size of table in mm	100x125	150x200	200x250
Size of T-Slots	8	10	12
Overall height in mm	120	155	185
Calibration	0-90°	0-90°	0-90°
Weight (Approx) in kgs.	5	15	28



U315

UNIQUE SUPER DRILL MACHINE VICE

CODE No. U315

FEATURES

- Clamping force right behind work.
- No lifting of the sliding jaw.
- Used for light milling & drill works, simple but sturdy.
- Fitted with all over hardened ground high quality steel jaws.
- Moving jaw is plain and other is provided with one vertical & two horizontal 90° V-grooves.

SPECIFICATIONS

SIZE IN INCHES	4	6	8
Width of jaws in mm	100	150	200
Opening of jaws in mm	130	210	290
Depth of jaws in mm	45	55	60
Height overall in mm	75	108	125
Length overall in mm	350	460	572
Width overall in mm	200	250	310
Weight (Approx) in kgs.	11.5	24	48
Slot Size in mm	13	13	13

UNIQUE ENGINEER'S BENCH VICE

CODE NO. U301R (FIXED BASE)

CODE NO. U301RS (SWIVEL BASE)



FEATURES

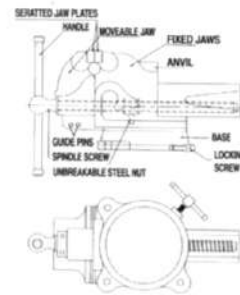
The **Export quality** Vices are specially designed to ensure perfect alignment and smooth movement.

- Body: Shock resisting Cast iron, free from sand holes, pits, blow holes, scabs and other imperfections
- Nut: Unbreakable Malleable **Steel Nut** for extra tuff grip.
- Jaws: Made of special Carbon Steel properly heat treated grinded and serrated to ensure a fast non slip. Horizontal and vertical 'V' is provided for round section work.
- Spindle Screw: Is fine pitched made of selected steel to match with Nut for long and durable life.
- Guide Pins: Two hardenend pins are provided instead of spring for the smooth running of the vice.
- Swivel Base: Specially designed having three holes for mounting. Vice rotates through 360° on base & can be locked positively at any position.

All the dimensions are in millimeters

SPECIFICATIONS

Nominal Size	75	100	125	150	200
Width of jaws	75	100	125	150	200
Opening Jaws	75	120	140	160	220
Depth of jaws	50	55	70	80	100
Overall Height	120	130	155	175	215
Overall Width	100	130	145	170	190
Overall Length	240	315	375	425	490
Weight Approx. Fixed Base	5kg.	9kg.	13kg.	20kg.	30kg.
Weight Approx. Swivel Base	6.500kg.	10.500kg.	16.000kg.	24 kg.	37kg.



UNIQUE ENGINEER'S BENCH VICE DUCTILE IRON (UNBREAKABLE BODY) CODE NO. U301R STEEL (FIXED BASE) CODE NO. U301RS STEEL (SWIVEL BASE)

FEATURES

- Body made of Ductile Iron (Unbreakable Steel Body)
- Unbreakable steel nut is provided.
- Jaws of special carbon steel properly heat treated grinded and Serrated to ensure a fast non slip grip.
- Spindle screw is fine pitched made of alloy steel.
- Swivel base rotates 360° and can be fixed at any position.

SPECIFICATIONS

SIZE IN INCHES	3	4	4-1/2	5	6	8	10	12
Width of jaws in mm	75	100	115	125	150	200	250	300
Opening of jaws in mm	90	125	120	145	155	205	275	305
Depth of jaws in mm	50	55	68	70	80	100	110	110
Length overall in mm	260	340	370	400	445	550	615	670
Height overall in mm	115	135	155	165	180	215	250	255
Width overall in mm	100	130	145	150	165	190	250	300
Weight (Approx) in kgs Fixed	4	8.5	10.5	13	18	28	41	50
Weight (Approx) in kgs. Swivel	5	10	12	15	20	29.5	-	-



U301R



U301RS

UNIQUE TWIN GUIDE SUPER VALUE MACHINIST'S VICE FIXED BASE CODE NO. U301N

FEATURES

- These Vices have all the features of the Unique Mechanic's Vice Code No: U301 except the slide is provided with Double Rib to ensure Smooth running and long life.

SPECIFICATIONS

Number	00	0	1	2	3	4	5	6	8
SIZE IN INCHES	2 1/4	2 1/2	3	3 1/2	4	4 1/2	5	6	8
Width of jaws in mm	60	65	75	90	100	115	125	150	200
Opening of jaws in mm	60	65	80	110	110	130	160	170	240
Depth of jaws in mm	42	48	58	65	68	80	85	93	100
Height Overall	97	105	125	137	155	170	182	200	225
Width Overall	100	100	110	137	160	165	170	180	220
Length Overall	205	205	250	290	355	370	425	485	540
Weight Approx. U301 N in kgs.	2.8	2.8	5	8	13	14.5	18.5	24	38
Weight Approx. in kgs. U301N S	3.6	3.6	6	9.5	15	16.5	21.5	27.5	44



U301 N



U308



U308 S

BENCHVICE (QUICK ACTION) CODE NO. U327

FEATURES

- These vices are equipped with quick grip mechanism which provide instant opening or closing of the jaws when trigger is pressed.
- Convention plane screw action may be used when desired
- Twin guide slide.
- High quality steel fine pitch screw moves in steel nut.

SPECIFICATIONS

SIZE IN INCHES	4	4.1/2	5	6
Width of jaws in mm	100	115	125	150
Opening of jaws in mm	150	165	170	230
Depth of jaws in mm	64	65	85	90
Height Overall	190	195	215	220
Width Overall	170	180	190	230
Length Overall	435	445	520	550
Weight (App. in kgs.)	18	21	25.5	31.5

IS-2586-1986



U1301

UNIQUE SUPER HEAVY DUTY BENCH VICE (DOUBLE RIB) FIXED BASE CODE NO. U308 SWIVEL BASE CODE NO. U308S

FEATURES

Heavy Duty Sturdy Built to with stand heavy load of work. Screw is fine pitched out of selected steel. Nut properly machined for xtra Tuff grip.

SPECIFICATIONS

Number	1	2	3	4	5	6	8
SIZE IN INCHES	3"	3 1/2"	4"	4 1/2"	5"	6"	8"
Width of jaws in mm	80	90	100	115	130	150	200
Opening of jaws in mm	90	102	140	160	180	212	235
Depth of jaws in mm	58	66	70	82	92	92	112
Height Overall	140	150	165	180	195	218	260
Width Overall	130	150	170	175	185	210	218
Length Overall	280	325	375	435	455	500	575
Weight Approx. U308 in kgs.	7.7	10.5	15.5	19.3	21.5	28.5	46
Weight Approx. in kgs. U308S	8.7	12	17	22.3	24.5	33	52.5



U327

UNIQUE MACHINIST'S BENCH VICE CODE NO. U 1301 IS-2586-1986

FEATURES

- Unique Mechanic's Bench Vices is made of closed grain cast iron.
- Provided with unbreakable steel nut.
- Serrated Jaws of special steel properly tempered to ensure a strong grip and are interchangeable.
- Square thread lead screw of alloy steel is matched properly with nut for long and durable life.

SPECIFICATIONS

SIZE IN INCHES	3	4	5	6
Width of jaws in mm	75	100	125	150
Opening of jaws in mm	110	140	170	205
Depth of jaws in mm	65	80	85	90
Weight	7	15	20	25



U300



U300 S

UNIQUE TOOL MAKER'S VICE WITH BRONZE NUT FIXED BASE CODE NO. U300 SWIVEL BASE CODE NO. U300S

FEATURES

This Precision vice is made of two pieces and can be rematched at any time.

SPECIFICATIONS

SIZE IN INCHES	3"	3 1/2"	4"	5"	6"	8"
Width of jaws in mm	80	90	100	125	150	200
Opening of jaws in mm	85	100	120	190	210	235
Depth of jaws in mm	55	60	75	85	95	110
Weight Approx. U300	5.3	9.5	16	21	28.5	45
Weight Approx. U300S		11.6	19.0	25	34	51

BENCHVICE (GERMAN TYPE) CODE NO. U316

FEATURES

- It is a rear jaw sliding bench vice.
- Hardened and ground jaws.
- High tensile steel forging screw and nut.
- Nut and screw matched with same degree of threads for long life performance.
- All parts are interchangeable and available as spares.
- It is an ideal vice for tool room & automobile industry.

SPECIFICATIONS

SIZE IN INCHES	4	5	6
Width of Jaws	100	125	150
Opening of Jaws	120	145	175
Depth of Jaws	80	90	80
Height Overall	150	175	190
Width Overall	140	155	170
Length Overall	340	360	475
Weight (App. in Kg.)	17	20.5	36



U316

UNIQUE ALL STEEL BENCH VICE CODE NO. U338N CODE NO. U338NS

FEATURES

These Vices are fabricated from special steel for mounting on work table, for general workshop use.

Body: Is fabricated of hot rolled steel welded carefully.

Nut & spindle: Spindle made of tested steel moving between two steel nuts for perfect alignment & smooth running.

Jaws: Serrated Jaws, made of carbon steel, properly heat treated to ensure firm non slip grip.

Swivel Base: Rotates fully 360° & can be locked firmly at any point by tightening two screws.

SPECIFICATIONS

All the dimensions are in millimeters

Nominal Size	75	100	125	150	200
Width of jaws	80	100	125	150	200
Opening Jaws	80	100	125	150	200
Depth of jaws in mm	55	60	80	80	80
Overall Height	100	110	130	140	155
Overall Width	105	120	140	150	200
Overall Length	240	285	330	360	410
Weight Approx. Fixed Base	3.500kg.	5	9kg.	11kg.	14
Weight Approx. Swivel Base	4.200kg.	6	10	12.500kg.	16



U 338 N



U 338 NS



U301



U301 S



CODE NO. U 370



U1300

UNIQUE MECHANIC'S BENCH VICE

FIXED BASE CODE NO. U301

SWIVEL BASE CODE NO. U301S

FEATURES

- Unique Mechanic's Bench Vices is made of closed grain cast iron.
- Provided with unbreakable steel nut.
- Serrated Jaws of special steel properly tempered to ensure a strong grip and are interchangeable.
- Square thread lead screw of alloy steel is matched properly with nut for long and durable life.
- Swivel Base rotates 360° and can be locked firmly at any point

SPECIFICATIONS

Number	00	0	1	2	3	4	5	6	8	10	12
SIZE IN INCHES	2 1/4	2 1/2	3	3 1/2	4	4 1/2	5	6	8	10	12
Width of jaws in mm	60	65	75	85	100	115	125	150	200	250	300
Opening of jaws in mm	60	65	80	110	110	130	160	170	240	290	340
Depth of jaws in mm	45	48	60	62	70	76	82	92	110	125	144
Height Overall	95	102	125	140	155	170	185	225	235	285	300
Width Overall	100	100	110	136	158	165	170	175	220	250	300
Length Overall	205	205	250	295	350	375	450	470	535	675	760
Weight Approx. U301 in kgs.	2.8	2.8	5	8	13	14.5	18	23.5	38	71	83
Weight Approx. in kgs. U301S	3.6	3.6	6	9.5	15	16.5	21	27	44	76	88

UNIQUE LEG VICE

CODE NO. U 370

SIZES	4	6
Width of Jaws	100	150
Opening of Jaws	100	150
Depth of Jaws	125	135
Height Overall	520	540
Width Overall	100	150
Length Overall	375	390
Weight (App. Kg.)	20	27

UNIQUE MULTIPURPOSE VICE

CODE NO. U1300

SPECIFICATIONS

SIZE IN INCHES	4	5	6
Width of jaws in mm	100	140	165
Opening of jaws in mm	100	130	145
Depth of jaws in mm	80	80	80
Height Overall	210	235	245
Width Overall	200	195	215
Length Overall	400	445	465
Weight Approx. U1300 in kgs.	15.5	18	22



U365 & U365 Steel

ANVIL- CAST IRON

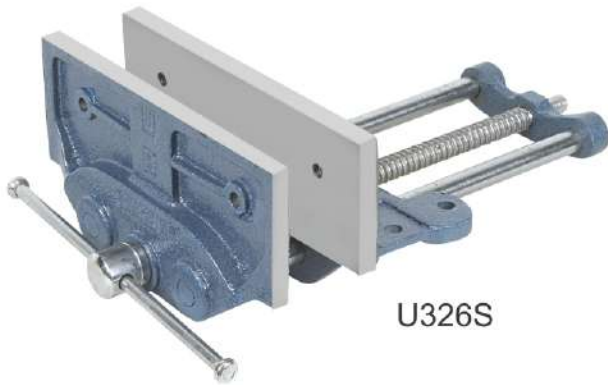
CODE NO. U 365
Made from Graded Cast Iron

Size In Kg.	
5	35
10	50
15	75
20	100
25	150
30	

ANVIL - CAST IRON WITH STEEL PLATE

CODE NO. U 365 Steel

Size In Kg.
25
50
75
100
150



U326S

WOOD WORKER'S VICE (RECORD TYPE)

CODE NO. U326S

FEATURES

- Ideal for technical institutes.
- Robust construction.
- Popular for do it yourself enthusiast.
- Body of cast iron.
- Spindle screw, sliding rods and handle is of high quality steel.

SPECIFICATIONS

SIZE IN INCHES	6	7	8	9	10	12
Width of jaws in mm	150	175	200	230	250	300
Opening of jaws in mm	150	175	200	230	250	300
Weight (Approx) in kgs.	3.9	4.2	5.4	6.2	8.1	10.5



U339

WOOD WORKING VICE HEAVY DUTY

CODE NO. U339

FEATURES

- Heavy duty full size wood working vice ideal for professionals.
- Robust construction of sliding jaws.
- Grinded sliding bars work accurately in machined housings, giving a smooth sliding movement and straight firm grip.
- Body and sliding jaws have provisions for attaching wooden liners to protect the vice, work piece and working tools.



U339 QR

WOOD WORKING VICE QUICK RELEASE

CODE NO. U339Q R

FEATURES

- A unique wood working vice equipped with the quick release mechanism.
- Simply pressing and sliding front jaw freely.
- Normal operation when clutch is not pressed.

SPECIFICATIONS

SIZE IN INCHES	6	7	8	9
Opening of jaws U339 and U339Q R	200	230	260	340
Weight (Approx) U339	5.00	8	11.00	13.700
Weight (Approx) U339Q R	5.600	9	12	14.500

UNIQUE PIPE VICE OPEN TYPE

CODE NO. U303
CODE NO. U303N

FEATURES

- Code No U303N is S.G. Iron guaranteed unbreakable steel body.
- Code No. U303 Heavy duty cast iron tough construction.
- Ideal vice for plumbers.
- Spindle screw of quality steel for long life.
- Replaceable jaw is provided.

SPECIFICATIONS

SIZE IN INCHES	1 1/4	2	3	4	6	8	10
Pipe holding capacity in mm	30	50	75	100	150	200	250
Weight (Approx) in kgs. U303	4.500	8	16.000	19.700	43	93	155
Weight (Approx) in kgs. U303N	-	6.500	12.000	14.5	-	-	-



U303N



U303

UNIQUE HINGED PIPE VICE

Code No. U304 (Self locking)

UNIQUE PIPE VICE PILLAR TYPE

CODE NO. U304 P.T. (Changeable jaws)

UNIQUE PIPE VICE ROUND PILLAR

CODE NO. U304 R.P.

FEATURES

- Pipe vice provided with square steel pillar.
- Replaceable steel jaws.
- Pipe vice provided with round grinded pillar.
- Replaceable steel jaws.

SPECIFICATIONS

SIZE IN INCHES	1 1/2	2	2 1/2	3	3 1/2	4	4 1/2	6
Pipe holding capacity in mm	38	50	64	75	88	100	115	150
Weight (Approx) in kgs. P.T.	2.100	3.900	-	5.000	-	7.5	-	14.5
Weight (Approx) in kgs. R.P.	4.800	5.200	-	12	-	-	-	17.5
Weight (Approx) in kgs. H.V.	2.300	3.700	5.700	-	7.800	-	11.900	26



U304 RP



U304



U304 PT

UNIQUE CHAIN PIPE VICE

CODE NO. U342

FEATURES

- Chains are of high tensile steel.
- Used for power-full grip.

SPECIFICATIONS

SIZE IN INCHES	2	3	4	6	8
Pipe holding capacity in mm	50	75	100	150	200
Weight (Approx) in kgs.	1.500	2.500	3.5	7	11



U342

UNIQUE HAND VICE STEEL

CODE NO. U340

FEATURES

- Hand vice for light jobs.
- Ideal for watch makers.

SPECIFICATIONS

SIZE IN INCHES	3	4	5	6	8
Length overall in mm	80	100	130	155	210



U340

UNIQUE DRAW VICE STEEL

CODE NO. U341

FEATURES

- Used to draw the wire

SPECIFICATIONS

SIZE IN INCHES	3	4	5	6	8	10	12
Length overall in mm	175	220	245	250	315	380	450



U341

Code U 122: UNIQUE CAST IRON ANGLE PLATES PLAIN (PRECISION GROUND)

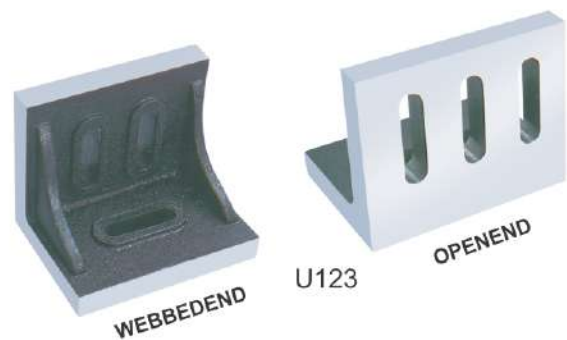
Code No.	Size (in Inches)	Size (in mm)
U122-4	4X4X4	100x100x100
U122-5	5X5X5	125x125x125
U122-6	6X6X6	150x150x150
U122-8	8X8X8	200x200x200
U122-10	10X10X10	250x250x250
U122-12	12X12X12	300x300x300



U122

UBB U123 : UNIQUE CAST IRON SLOTTED ANGLE PLATES (PRECISION GROUND)

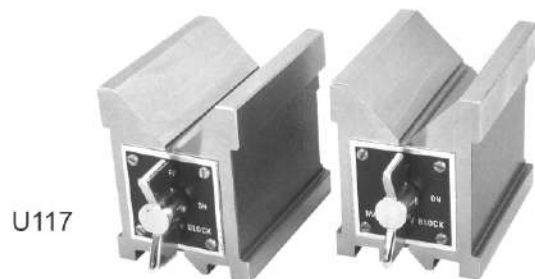
Code No.	Size (in Inches)	Size (in MM)
U123-3	4.1/2x3.1/2x3	115x90x75
U123-4	6x5x4.1/2	150x125x115
U123-5	7x5.1/2x4.1/2	175x140x115
U123-6	8x6x5	200x150x125
U123-7	9x7x6	225x175x150
U123-8	10x8x6	250x200x150
U123-9	12x9x8	300x225x200



U123

Code U 117: UNIQUE MAGNETIC VEE BLOCKS (EXPORT QUALITY) Hardened & Ground

Code No.	Size of Vee Block LxWxH (MM)	Holding Capacity (in mm)
U117-1	65x60x50	38
U117-2	80x65x60	-
U117-3	100x95x75	48
U117-4	150x95x75	62



U117

Code U 116: UNIQUE MAGNETIC BASE (EXPORT QUALITY)

Code No.	Model	Magnetic Pull (in Kgs.)
U116-2	7010 ON/OFF Switch	30-35 Kg.



U116

Code U119: UNIQUE STEEL V BLOCKS & CLAMPS
(EXPORT QUALITY) Hardened and Ground

Code No.	Size (in Inches)	V Capacity
U119-1	1.1/4x1.1/4x5/8	40x32x32
U119-2	1.3/8x1.5/8x1.3/4	45x40x36
U119-3	1.1/2x1.1/2x2	50x37x37
U119-4	2x1.5/8x2.3/8	60x40x50
U119-5	1.5/8x1.3/4x2.3/4	70x45x40
U119-6	2.1/8x2.1/8x3	75x55x55
U119-7	2.1/2x2.1/2x3.1/4	80x65x65
U119-8	3x3x4	100x75x75



U119

UVB 120: UNIQUE VEE BLOCKS (CAST IRON)
(SUPPLIED IN MATCHED PAIR) WITH ONE CLAMP

Code No.	No.	Dimensions of Blocks		Clamping Capacity	
		Length Inches	WidthxHeight mm	Inches	mm
U120-1	U 230	2x1.1/2x1.1/2	50x38x38	1.1/2	38
U120-1	U230B	3x1.1/2x1.1/2	75x38x38	1.1/2	38
U120-1	U 221A	3x2x2	75x50x50	2.1/2	63
U120-1	U222	4x3x1.1/2	100x75x38	3.1/2	88
U120-1	U222A	4x2.1/2x2.1/2	100x63x63	3.1/2	88
U120-1	U222B	4x3x3	100x75x75	3.1/2	88
U120-1	U223	5x3.1/2x3.1/4	125x88x44	4.1/4	108
U120-1	U224	6x4x2	150x100x50	5	125
U120-1	U224A	6x4x4	150x100x100	5	125



U120

UNIQUE PERMANENT MAGNETIC CHUCKS

CODE No. U344 & U345

FEATURES

- Chucks having top and base of solid mild steel with powerful permanent magnets.
- Pole space available is standard or close giving greater magnetic efficiency with medium & thick parts for grinding & machining operations.
- Chuck cannot loose magnetism except by dismantling.
- Cam operated ON/OFF handle to hold & release the work piece.



U 344

SPECIFICATIONS

SIZE IN INCHES	4x8	4x12	5x10	6x10	6x12	6x14	6x18	6x24	8x12	8x14	8x18	8x24	10x24	12x24
Size in mm	100x200	100x300	125x250	150x250	150x300	150x350	150x450	150x600	200x300	200x350	200x450	200x600	250x600	300x600
U344 - No. of poles (Standard)	5	6	5	5	6	8	10	12	6	8	10	12	12	12
U345 - No. of poles (Close)	6	7	7	7	9	10	12	16	9	10	14	18	18	18

SPECIFICATIONS

ROUND TYPE

CODE No. U346

SIZE IN INCHES	3	4	5	6	8	9	10	12	15	18	24
Size in mm	75	100	125	150	200	225	250	350	375	450	600
No. of poles	3	3	4	4	5	6	6	8	9	12	16



U 346



U1114

Code U1114 : UNIQUE DIAL COMPRA TOR STANDS- FINE ADJUSTMENT

Code No.	Description	(in Inches) Measuring Range	(in Inches) Fine Adjustment
U114-1	6" x 5"	8	1/8

Supplied Without Dial Gauge



U114

G CLAMPS HEAVY DUTY DROP FORGED CODE NO. U408DF

FEATURES

- Drop forged G clamps are very essential for fabrication work and metal working.
- Deep throat to hold the job properly.
- Available in copper finish fine thread screw as well black finish fine thread screw.
- Strong swivel pad to adopt any angle.

G CLAMPS HEAVY DUTY DUCTILE IRON BODY CODE NO. U408

FEATURES

- Made of high grade ductile iron casting.
- Useful for wood working and metal working.
- Fine thread screw.
- Strong swivel pad applies pressure evenly.

UNIQUE BEARING PULLERS CODE NO. U406 DF & U 406

FEATURES

- Reversible type pullers.
- Drop forged chrome plated steel.
- Forged steel auto black finish.
- Available in 3 legs as well 2 legs.
- Adjustable legs for internal and external pulling of gears and bearings ect.
- Size available 3" to 12" in drop forged.
- Size available 3" to 24" in forged steel.



U406 DF

SIZE AVAILABLE 3" TO 12"



U406

SIZE AVAILABLE 3" TO 24"



U406 GP

SIZE 2 1/4" TO 6"



U4406 DF

SIZE 3" TO 12"

UNIQUE BABY VICE

CODE No. U302, U302N, U302NS, U307D

FEATURES

- Unique compact vices are made of grey iron casting. Mainly used for metal and wood working

SPECIFICATIONS U302

SIZE IN INCHES	1	1 1/2	2	2 1/2	3	4
Width of jaws in mm	25	35	50	65	75	100

SPECIFICATIONS U307 D

SIZE IN INCHES	1	1 1/2	2	2 1/2	3	4
Width of jaws in mm	25	35	50	65	75	100

SPECIFICATIONS U302N & U302NS

SIZE IN INCHES	1 1/4	1 5/8	2	2 3/8	3
Width of jaws in mm	30	40	50	60	75



U302

U307 D

U302 N

U302 NS

Code U114 : UNIQUE DIAL COMPRA TOR STANDS- FINE ADJUSTMENT

Code No.	Description	(in Inches) Measuring Range	(in Inches) Fine Adjustment
U114-1	ROUND SERRATED	5	1/8
U114-2	ROUND FLAT	5	1/8
U114-3	SQUARE FLAT	5	1/8
U114-4	SQUARE SERRATED	5	1/8

Supplied Without Dial Gauge



SIZE AVAILABLE 2" TO 12"

SIZE AVAILABLE 2" TO 12"

UNIQUE DRILL SLEEVES

CODE NO. U404S

FEATURES

- A Grade sleeves are made of case hardened steel with body hardness 54°,58° HRC.
- All over ground outside and inside.
- Tang hardness 54°-58° HRC.
- Work shop grade sleeves made of carbon steel outside ground inside reamed with hardened tang.

SPECIFICATIONS

MORSE TAPER	Inside	1	2	3	4	1	1	1	2	2	3	2	3	4	5
	Outside	2	3	4	5	3	4	5	4	5	5	6	6	6	6
OVERALL LENGTH	mm	92	112	124	171	99	124	156	124	156	156	218	218	218	218

DRILL CHUCK ARBORS

CODE NO. U404.

FEATURES

- Unique make a comprehensive range of arbors for different applications.
- All arbors are made of case hardened steel all over ground.

SPECIFICATIONS

THREADED ARBORS		R8 ARBORS	
Morse taper	Threads	Arbor number	Jacob taper
1	3/8x24UNF	R8-1	1
1	1/2x20UNF	R8-2	2
2	3/8x24UNF	R8-3	3
2	5/16x16UNF	R8-33	33
2	1/2x20UNF	R8-6	6
		R8-4	4

JACOBS TAPER ARBORS						TAPER SHANK ARBORS - DIN 238					
Morse taper	Jacobs Taper	Morse taper	Jacobs Taper	Morse taper	Jacobs Taper	Chuck Mount	Morse Taper	Chuck Mount	Morse Taper	Chuck Mount	Morse Taper
1	1	2	6	4	2	B10	1	B18	1	B24	4
1	3	2	33	4	3	B10	2	B18	2	B24	5
1	33	3	1	4	4	B12	1	B18	3		
1	6	3	2	4	5	B12	2	B18	4		
2	1	3	3	4	6	B12	3	B22	1		
2	2	3	4	5	2	B16	1	B22	2		
2	3	3	5	5	3	B16	2	B22	3		
2	4	3	6	5	4	B16	3	B22	4		
2	5	3	33	1	2	B16	4	B24	3		



U404S



U404

UNIQUE OFFSET STEEL VICE

CODE No. U338

FEATURES

- Ideal vice for irregular jobs,
- With no limit of depth of jaws.

SPECIFICATIONS

SIZE IN INCHES	4	6
Holding capacity in mm	100	150
Weight in kgs	9	17

U338



UNIQUE CARPENTER'S T. BAR CRAMPS

CODE No. U360

FEATURES

- The T section is made of special cold drawn steel with 2" section.
- Malleable head & slide for heavy duty jobs.
- Acme thread main screw for smooth running.
- The sliding head can be fixed to any hole with the help of a steel pin.

SPECIFICATIONS

SIZE IN INCHES	36	48	60	72	84
Capacity in inches	30	42	54	66	76

CODE No. U360



UNIQUE HSS ADJUSTABLE HAND REAMER

CODE NO. U372

SPECIFICATIONS

SYMBOLS	RANGE IN MM	RANGE IN INCHES
FOUR BLADES		
HV	6.35-7.15	1/4-9/32
HW	7.15-7.95	9/32-5/16
HZ	7.95-8.7	5/16-11/32
HY	8.7-9.5	11/32-3/8

SIX BLADES		
H1	9.5-10.25	3/8-13/32
H2	10.25-11	13/32-7/16
H3	11-12	7/16-15/32
H4	12-13.5	15/32-17/32
H5	13.5-15	17/32-19/32
H6	15-16.75	19/32-21/32
H7	16.75-18.25	21/32-23/32
H8	18.25-19.75	23/32-25/32
H9	19.75-21.5	25/32-27/32
H10	21.5-24	27/32-15/16
H11	24-27	15/16-1.1/16
H12	27-30	1.1/16-1.3/16
H13	30-34	1.3/16-1.11/32
H14	34-38	1.11/32-1.1/2
H15	38-46	1.1/2-1.13/16
H16	46-56	1.13/16-2.7/32
H17	56-70	2.7/32-2.3/4
H18	70-85	2.3/4-3.11/32
H19	85-100	3.11/32-4

H4-H14-COMplete SET IN WOODEN BOX
H4-H11-COMplete SET IN WOODEN BOX



U372

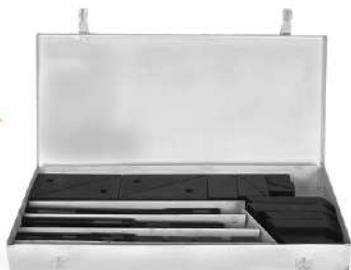


UNIQUE CLAMPING KIT

58 Pcs.(With Metallic Box)
CODE NO. U 31 & 32



U32



58 Pcs. CLAMPING KIT CONTAINS:

Code	T-Slot Nuts Code U23 6 Pcs.	Clamping Stud Code U30 4Pcs. Each	Flanged Nuts Code U21 6 Pcs.	Coupling Nuts Code U22 4 Pcs.	Stepped Strap Clamp Code U15 2 Pcs. Each	Step Blocks Code U09 2 Pair (4 Pcs.) Each
U32-1	14-12 M	M12x63 M12x80 M12x100 M12x125 M12x160 M12x200	M12	M12	12x80 12x100 12x125	1 2 Pairs 2 2 Pairs 3 2 Pairs
U32-2	16-12 M	M16x63, M16x80 M16x100, M16x125 M16x160, M16x200	M16	M16	3 Pcs. Each 16x125 16x150	1 2 Pairs 2 2 Pairs 3 2 Pairs

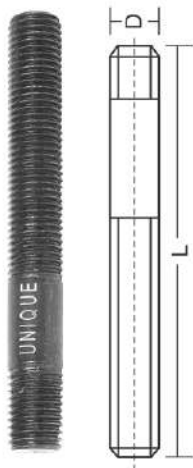
CLAMPING STUD

Code No. U 30

Application :
Used in jig-fixtures, hydraulic equipments as one of the clamping elements.

Construction :
Hardened and tempered steel R=80/90 kg/mm²

Finish : Burnished



Code	T-Size x Thread	Length	Code	T-Size x Thread	Length
U 30-0	M8	32	U30-21A	M14	250
U 30-1	M8	40	U 30-22	M16	63
U 30-2	M8	50	U 30-23	M16	80
U 30-3	M8	63	U 30-24	M16	100
U 30-4	M8	80	U 30-25	M16	125
U 30-5	M8	100	U 30-26	M16	160
U 30-6	M8	150	U 30-27	M16	200
U 30-7	M10	50	U 30-28	M16	250
U 30-7A	M10	63	U 30-29	M16	315
U 30-8	M10	80	U 30-31	M20	100
U 30-9	M10	100	U 30-32	M20	125
U 30-10	M10	125	U 30-33	M20	160
U 30-11	M10	160	U 30-34	M20	200
U 30-12	M10	200	U 30-35	M20	250
U 30-13	M12	50	U 30-36	M20	315
U 30-14	M12	63	U 30-37	M20	400
U 30-15	M12	80	U 30-39	M20	500
U 30-16	M12	100	U 30-40	M24	100
U 30-17	M12	125	U 30-41	M24	125
U 30-18	M12	160	U 30-42	M24	160
U 30-19	M12	200	U 30-43	M24	200
U 30-20	M12	250	U 30-44	M24	250
U 30-21	M12	315	U 30-45	M24	315
U30-18A	M14	100	U 30-46	M24	400
U30-19A	M14	150	U 30-48	M24	500
U30-20A	M14	200			

HEIGHT PLATES ADJUSTABLE

Code No. U 10

Features :

- Extra height could be achieved by stacking the blocks.
- Supporting height is achieved instantaneously with quick adjustment of plates.
- It is compact, safe & reliable supporting system.
- May be used with or without exact height setter.

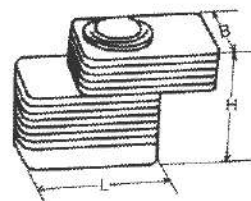
Application :

Used on machines as supporting height block or spacers.

Construction : Carbon Steel

Finish : Black Penetrated.

CODE	Plate Thickness	H	B	L	Weight App. Kgs.
U10-1	2	25	35	50	0.350
U10-2	2	50	35	50	0.650
U10-3	2	75	35	50	1.000
U10-4	2	100	35	50	1.300
U10-5	2	125	35	50	1.600
U10-6	2	150	35	50	1.900
U10-7	4	25	50	60	0.600
U10-8	4	50	50	60	1.100
U10-9	4	75	50	60	1.600
U10-10	4	100	50	60	2.100
U10-12	4	125	50	60	2.600
U10-13	4	150	50	60	3.100
U10-14	4	200	50	60	3.600



STEP BLOCKS UNIVERSAL

Code No. U 09

Features :

- Used to obtain required supporting heights.
- Any combination keep the accurate parallelism.
- Positive locking.

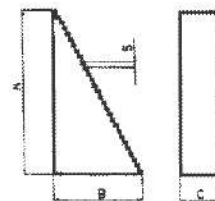
Application :

Used as supporting block on any machine.

Construction : Hardened and tempered steel R=80/90 kg/mm²

Finish : Black Oxidized/Powder Coated.

CODE	A	B	C	Fixing Height Max.	Fixing Height Min.
U09-1	33	24	30	53	22
U09-2	66	40	30	105	39
U09-3	131	73	30	208	71

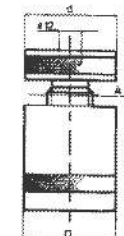


SCREW JACK WITH STEEL BODY (With Flat Support) Code No. U 11

- Centering hole dia 12mm provided for pads.
- Spindle : Trapezoidal Thread
- Material : Carbon Steel Heat Treated blackened.
- Self locking with end stop body.

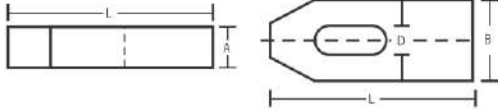
All types of pads can be used for numerous adoptions. Coupling pad P-6 useful to pile up height of screw jacks Code 911-2 and 911-3.

CODE	Range H1-H2	Base Dia - D1	Cap Dia - DC	Static Load Max. - Kn	Wt. Kgs.
U11-1	40-50	32	32	12	0.230
U11-2	50-70	50	50	60	0.600
U11-3	70-100	50	50	60	0.800
U11-4	100-140	70	85	100	2.500
U11-5	140-210	80	70	165	4.560
U11-6	190-300	98	80	350	9.100



STRAP CLAMP IS 4292-1984 (IN ACCORDANCE WITH THE DIN 6314 STANDARD)

Code No. U 14



Features :

- Widely used on most of machines for clamping work pieces of various sizes.
- As illustrated

Construction :

Hardened and tempered steel
R=80/90 kg/mm²

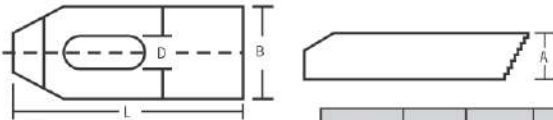
Finish :

Black Oxidized/Powder Coated.

CODE	D x L	A	B	Suitable for Screw Size
U14-1	9 x 60	12	25	M18
U14-2	11 x 80	15	30	M10
U14-3	14 x 100	20	40	M12
U14-4	14 x 125	20	40	M12
U14-5	18 x 125	25	50	M16
U14-6	18 x 160	25	50	M16
U14-7	22 x 160	30	60	M20
U14-8	22 x 200	30	60	M20
U14-11	26 x 200	35	70	M24
U14-12	26 x 250	40	70	M24

STEPPED STRAP CLAMP

Code No. U 15



Construction :

- Hardened and tempered steel
R=80/90 kg/mm²
- Longer versions are used for large clamping distances due to large T-slot distance or enlarged work depth, i.e. on engraving Machines.

Finish :

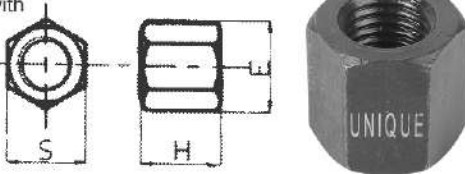
Black Oxidized/Powder Coated.

CODE	D x L	A	B	Suitable for Screw Size
U15-1	11 x 80	15	30	M10
U15-2	14 x 100	20	40	M12
U15-3	14 x 125	20	40	M12
U15-4	18 x 125	25	50	M16
U15-5	18 x 160	25	50	M16
U15-6	22 x 160	30	60	M20
U15-7	22 x 200	30	60	M20
U15-8	26 x 200	30	70	M24

HEX NUT

(In Accordance with
Din 6330B)

Code No. U 20



Application :

- Widely used on most of shop-floor machines, jig-fixtures, hydraulic equipments etc.
- Additional thickness, covers more thread length effecting better clamping, flat end used with plain washer, spherical end used along with conical seal washer.

Construction :

Hardened and tempered steel
R=80/90 kg/mm² Class 8.8 (8G).

Finish : Burnished.

CODE	Screw Thread	S	E	H
U20-1	M8	13	15.0	12
U20-2	M10	17	19.6	15
U20-3	M12	19	20.9	18
U20-4	M16	24	27.7	24
U20-5	M20	30	24.6	30
U20-6	M24	36	41.6	36
U20-7	M30	46	53.1	45

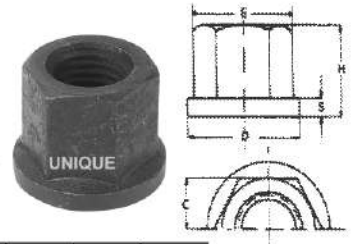
FLANGED NUT (IS:7795-1975)

Code No. U 21

Construction :

Hardened and tempered steel
Class 8.8 (8G) R=80/90 kg/mm²

Finish : Burnished



CODE	Screw Thread	C	H	S	D	E
U21-1	M8	13	12	3.5	18	15.0
U21-2	M10	17	15	4	22	19.6
U21-3	M12	19	18	4	25	21.9
U21-4	M16	24	24	5	31	27.7
U21-5	M20	30	30	6	37	34.6
U21-6	M24	36	36	6	45	41.6

COUPLING NUT

Code No. U 22

Application :

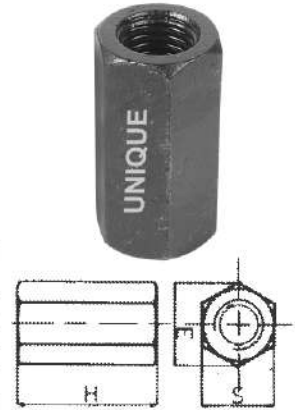
To couple the studs for the purpose of increasing the length.

Construction :

Hardened and tempered steel Class
8.8 (8G) R=80/90 kg/mm².

Finish : Burnished.

CODE	Screw Thread	S	E	H
U22-1	M10	17	19.6	30
U22-2	M12	19	21.9	36
U22-3	M16	24	27.7	48
U22-4	M20	30	34.6	60
U22-5	M24	36	41.6	72
U22-6	M30	46	53.1	90



C-WASHER (IS : 4291: 1996)

Code No. U 28

Features :

Knurled outside Diameter for easy Gripping while insertion or removal.

Application :

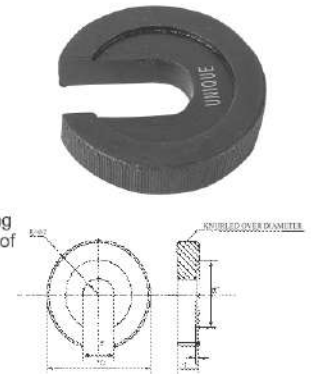
In the construction of fixtures having special application as spacer or clamping element because it could be swung out of the way and the part can be inserted or removed quickly.

As illustrated.

Construction :

Steel Heat treated to 40 to 45 HRC.
Finish : Black Oxidized

CODE	For Bolt of	D	d	d1	t	l
U28-1	M8	28	8.4	21	7	1
U28-2	M10	34	10.5	25	8	1.2
U28-3	M12	40	13	30	9	1.8
U28-4	M16	56	17	37	12	1.8
U28-5	M20	64	21	45	14	2
U28-6	M24	75	25	52	16	2
U28-7	M30	90	31	61	18	2



PLAIN WASHER (In Accordance with DIN 6340)

Code No. U 25

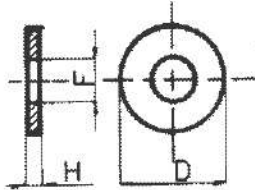
Application :

Widely used in most of the clamping system

Construction :

Hardened and tempered steel
R=80/90 kg/mm²

Finish : Burnished.



CODE	For Screw	F	D	H
U25-1	M8	8.4	23	4
U25-2	M10	10.5	28	4
U25-3	M12	13	35	5
U25-4	M16	17	45	6
U25-5	M20	21	50	6
U25-6	M24	25	60	8
U25-7	M30	31	68	10

SPHERICAL WASHER with Conical Seat IS:4297-1996

Code No. U 26

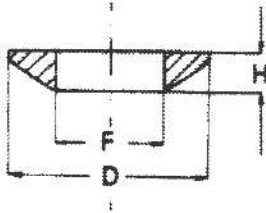
Application :

It acts as a ball and socket in clamping system to correct minor misalignment of parts being clamped.

Construction :

Hardened and tempered steel
R=80/90 kg/mm² Class 8.8 (8G)

Finish : Burnished.

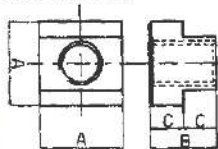


CODE	Size	F	D	H
U26-1	M8	8.4	17	3.5
U26-2	M10	10.5	21	4.2
U26-3	M12	13	24	5.0
U26-4	M16	17	30	6.2
U26-5	M20	21	36	7.5
U26-6	M24	25	44	9.5
U26-7	M30	31	56	12

T-SLOT NUT IS 2015-1977

(in Accordance With
DIN 508 Standard)

Code No. U 23



CODE	Screw Thread	X Slot	A	B	C
U23-1	M6	8	13	10	5
U23-2	M8	10	15	12	6
U23-3	M10	12	18	14	7
U23-3A	M10	14	22	16	8
U23-4	M12	14	22	16	8
U23-5	M12	16	25	18	9
U23-6	M12	18	28	20	10
U23-7	M16	18	28	20	10
U23-8	M16	20	32	24	12
U23-9	M16	22	35	28	14
U23-10	M20	22	35	28	14
U23-11	M20	24	40	32	16
U23-12	M24	28	44	36	18

Application :

Useful of the machines having

T Slots, jig fixtures, hydraulic elements, assorted setting elements and adapters.

For use along with studs for work holding fixtures etc.

Construction :

Hardened and tempered steel Class

8.8 (8G) R=80/90 kg/mm².

Finish : Burnished.

UNIQUE T-BOLT (IS 2014:1996)

CODE NO. U29

Application :

Suitable as clamping element on T-slotted heads.

Construction :

R=80/90 kg/mm² Highly resistant steel.
Class 8.8 (8G)

Finish : Burnished



Code No.	T-Size x Thread	Length	K	A x B
U 29-10	12mm x M12	50	7	18x18
U 29-11	12mm x M12	65	7	18x18
U 29-12	12mm x M12	80	7	18x18
U 29-13	12mm x M12	100	7	18x18
U 29-14	12mm x M12	125	7	18x18
U 29-15	12mm x M12	160	7	18x18
U 29-16	12mm x M12	200	7	18x18
U 29-17	12mm x M12	250	7	18x18

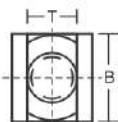
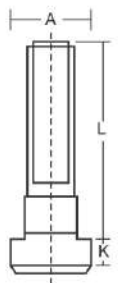
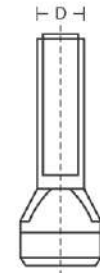
U 29-20	14mm x M12	80	8	22x22
U 29-21	14mm x M12	100	8	22x22
U 29-22	14mm x M12	125	8	22x22
U 29-23	14mm x M12	160	8	22x22
U 29-24	14mm x M12	200	8	22x22
U 29-25	14mm x M12	250	8	22x22

U 29-28	16mm x M16	80	9	25x25
U 29-29	16mm x M16	100	9	25x25
U 29-30	16mm x M16	125	9	25x25
U 29-31	16mm x M16	160	9	25x25
U 29-32	16mm x M16	200	9	25x25
U 29-33	16mm x M16	250	9	25x25

U 29-36	18mm x M16	80	10	28x28
U 29-37	18mm x M16	100	10	28x28
U 29-38	18mm x M16	125	10	28x28
U 29-39	18mm x M16	160	10	28x28
U 29-40	18mm x M16	200	10	28x28
U 29-41	18mm x M16	250	10	28x28
U 29-42	18mm x M16	320	10	28x28

U 29-44	20mm x M20	100	12	32x32
U 29-45	20mm x M20	125	12	32x32
U 29-46	20mm x M20	160	12	32x32
U 29-47	20mm x M20	200	12	32x32
U 29-51	22mm x M20	100	12	32x32
U 29-53	22mm x M20	160	12	32x32
U 29-54	22mm x M20	200	12	32x32
U 29-55	22mm x M20	250	12	32x32
U 29-56	22mm x M20	320	12	32x32

U 29-58	24mm x M24	100	16	40x40
U 29-59	24mm x M24	160	16	40x40
U 29-60	24mm x M24	200	16	40x40
U 29-62	24mm x M24	300	16	40x40
U 29-64	24mm x M28	100	16	40x40
U 29-66	24mm x M28	160	16	40x40
U 29-67	24mm x M28	200	16	40x40
U 29-68	24mm x M28	250	16	40x40
U 29-69	24mm x M28	320	16	40x40





UNIQUE INDUSTRIES (INDIA)

C-10, Focal Point, Jalandhar - 144 004 Pb. (INDIA)

Ph.: +91-181-2602296, 2600680 Resi.: 2221464

E-mail : uniqueindustriesjal@gmail.com

Website : www.uniquevices.com